

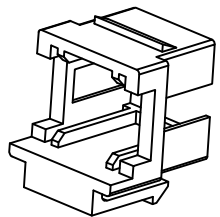
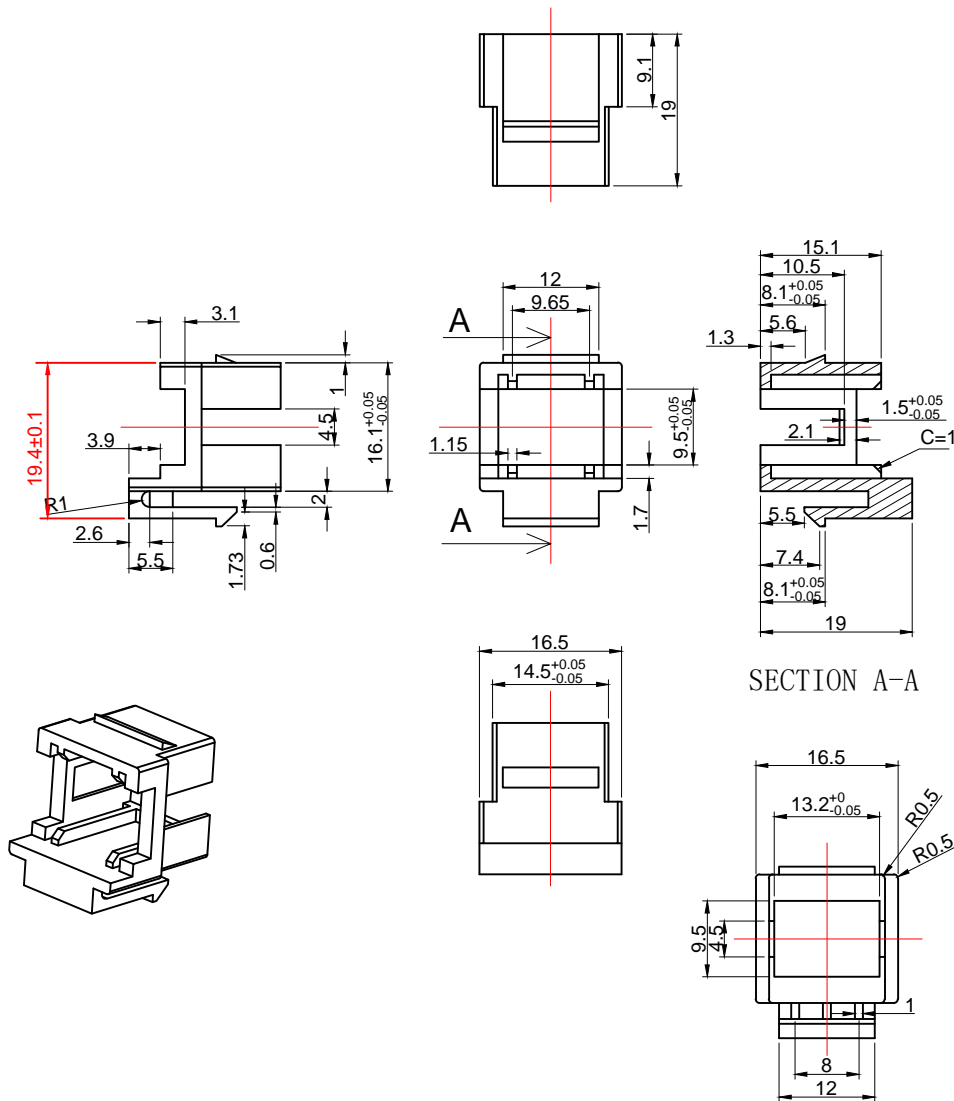
NOTE:
RoHS2.0 & REACH COMPLIANT
PACKING: 1PCS/PE BAG

MATERIAL LIST:

④	Ground	Stainless Steel	1	
③	Title block	Transparent	1	
②	Top Cap	ABS Gray RAL7035	1	
①	Housing	ABS Gray RAL7035	1	

NO.	PARTS NAME	SPECIFICATION STANDARD	QT'Y	REMARK
		NEW	2019-06-25	A
BY	CHK	REVISION RECORD MODIFICATIONS	DATE	REV.

SYNERGY 21										
CUSTOMER			ITEM NO.			S215416				
PRODUCT NAME	DIN RAIL holder 1port	manufacture country:	China	UNIT	MM	DRAWNBY		CHECKBY	APPOBY	DATE
SYNERGY 21			SYNERGY 21			SYNERGY 21		2019-06-25		



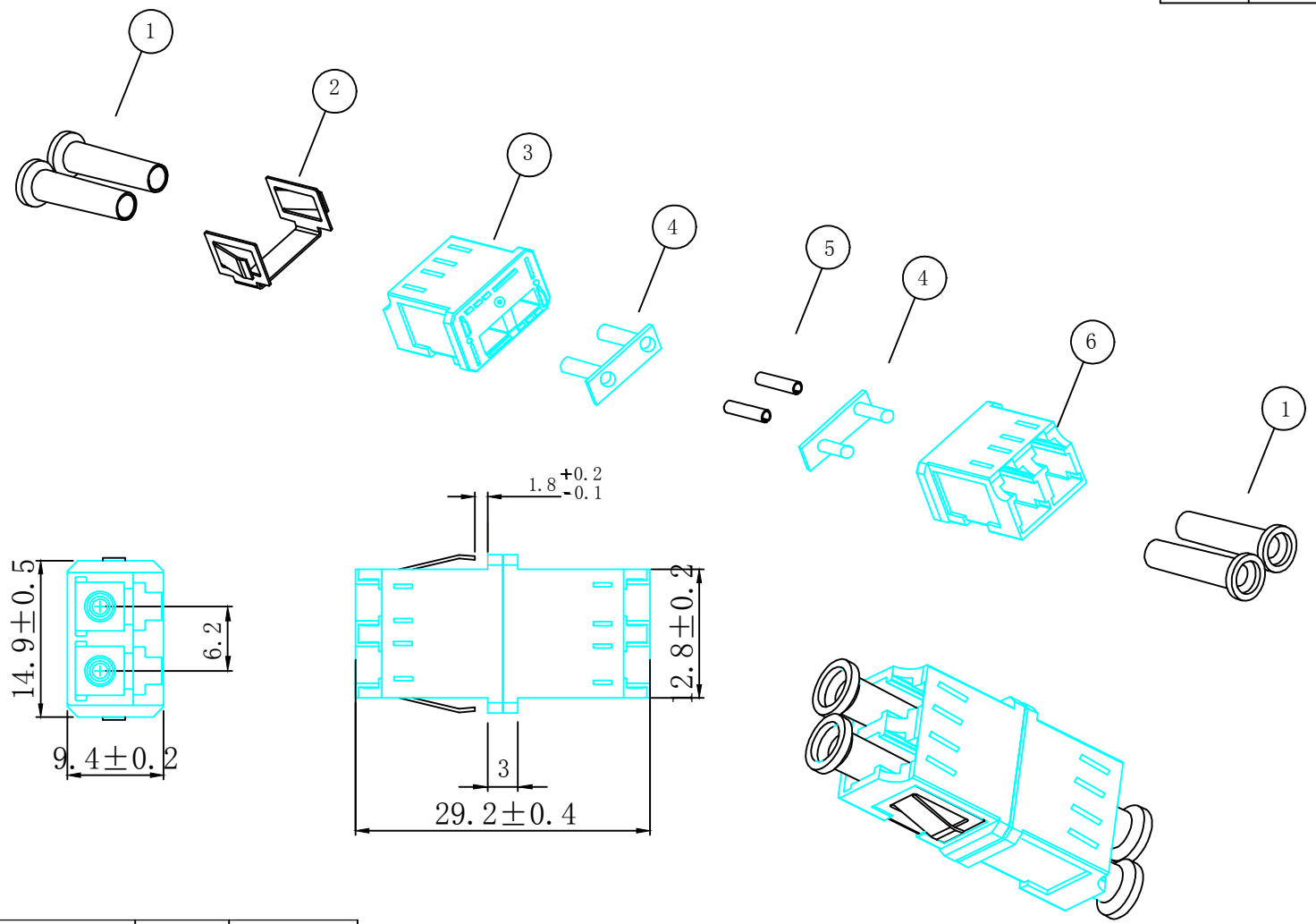
SECTION A-A

NOTES:

1. ABS Black
2. Keystone for LC duplex/SC simplex no flange Adapte
2. Packing: 1pc/PE Bag+Lable
3. ROHS2.0 AND REACH COMPLIANT

SYNERGY 21					
CUSTOMER		ITEM NO.	S215479		
PRODUCT NAME	Keystone adapter	manufacture country:	CHINA	UNIT	MM
DRAWNBY	CHECKBY	APPOBY	DATE		
SYNERGY 21	SYNERGY 21	SYNERGY 21	2017-05-03		

		NEW	2017-05-03	A
BY	CHK	REVISION RECORD MODIFICATIONS	DATE	REV.



NOTE:
RoHS 2.0 & Reach COMPLIANT

Insertion Loss(dB)	≤0.20
Operating Temperature(° C)	-40 ~+80
Storage Temperature(° C)	-40 ~+85

MATERIAL LIST:

⑥	LC Aqua Plastic body (SC simplex footprint)	1pcs	
⑤	LC Sleeve ceramic (Multi-Mode)	1pcs	
④	Aqua bush	2pcs	
③	LC Aqua Plastic body (SC simplex footprint)	1pcs	
②	LC Metal Mount	1pcs	
①	LC White Dust Cap	4pcs	

Chart:

NO.	ITEM NO.	EAN Number
1	S215481	4038816064554

NO.	SPECIFICATION	STANDARD	QT' Y	REMARK
BY	CHK	REVISION RECORD MODIFICATIONS		

SYNERGY 21							
CUSTOMER				ITEM NO.	See the chart		
PRODUCT NAME	LC MM Aqua (ceramic) Duplex Plastic Adapter (SC SX Footprint) w/o flange	manufacture country	CHINA	UNIT	MM		
	DRAWNBY	CHECKBY	APPOBY	DATE			
	SYNERGY 21	SYNERGY 21	SYNERGY 21	2017-4-25			