

Chart:

ITEM NO	COLOUR
S216330V2	pure white, RAL9010

Materials:

Outlet Housing: ABS UL-94V2/Colour:see the chart

Outlet Base: ABS UL-94V2/Colour:see the chart

Metalic Plate:Al&Zn Alloy /Al&Zn Alloy,

ACCESSORY :

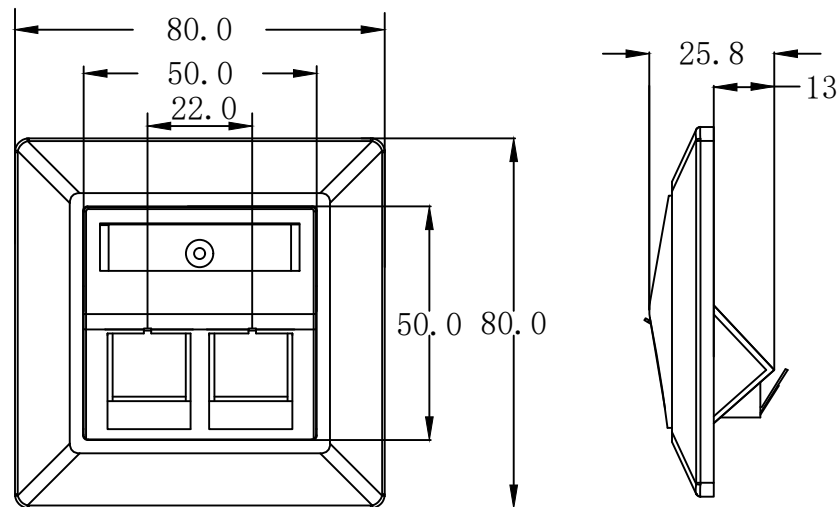
1. Label
2. Plastic gasket
3. Screw:M3. 5*9*2Pcs

RoHS 3.0&REACH Compliant

Storage Temperature: -40°C--+70°C

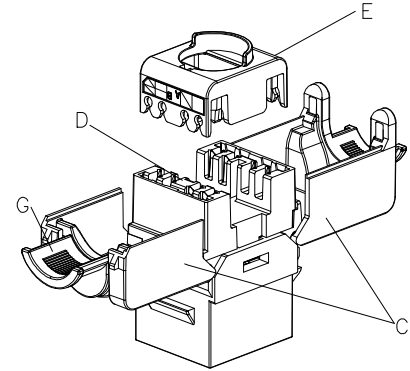
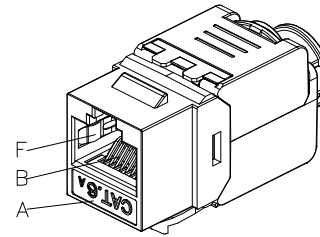
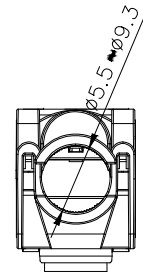
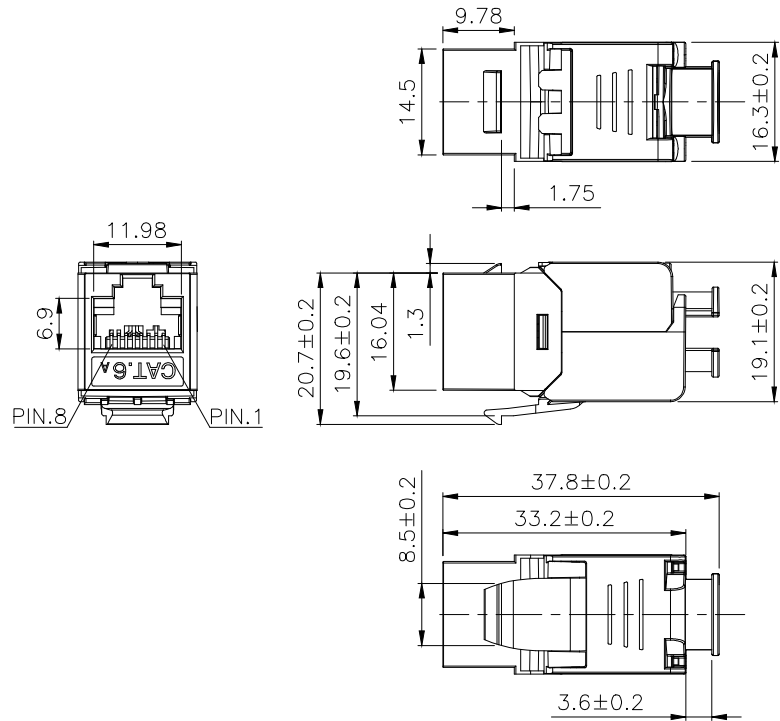
Operation Temperature:-10°C--+60°C

Packing:PE bag+label



SYNERGY 21

SYNERGY 21										
		CUSTOMER			ITEM NO.		see the chart			
		PRODUCT NAME		FRAME SET 2PORT		manufacture country		China		
		UNIT		MM						
		NEW			2022-08-04		A		DRAWNBY	
		CHECKBY			APPOBY		DATE			
BY		CHK		REVISION RECORD MODIFICATIONS			DATE		REV.	
		SYNERGY 21		SYNERGY 21		SYNERGY 21		2022-08-04		



NOTES:

ELECTRICAL:

- Contact Resistance : 20MΩ MAX
- Insulation Resistance : 500MΩ MIN @ 500V DC
- Withstand Voltage : DC1000V AC700V RMS 60Hz, 1MIN

ENVIRONMENTAL:

- Storage : -40° TO+70°
- Operation : -10° to+60°

MECHANICAL

- SHIELD MATERIAL: ZINC ALLOY
- IDC MATERIAL: PC UL94V2 TERMINAL:PHOSPHOR BRONZE, TIN PLATING
- IDC Life : 250 Times Min
- Support PoE per IEEE 802.3af, PoE+ per IEEE 802.3at
- RJ45 Contacts durability:750 cycles min
- For cable AWG 23/1-26/1(1/0.40-1/0.58mm)
- For cable OD:5.5-9.0mm

ISO/IEC 11801-1

EIA/TIA 568-C

IEC 60603-7-51

RoHS 2.0 and REACH Compliant

Accessories

▪Cable Tie(75X1.9mm) *1Pc

▪Copper foil*1Pc

Function test: AEM MMVAN-200+VNA Manager TEST

Website: <https://aem-test.com/>

(Random test 0.3%)

SinglePack: 1pc/PE bag+label; SubPack: 25pcs/box+label; Carton +labelx2;

MATERIAL LIST:

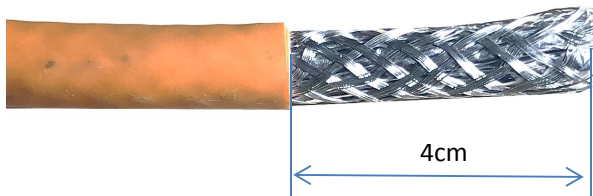
NO.	PARTS NAME	SPECIFICATION STANDARD	QT' Y	REMARK
⑦	MODULAR COVER	PC UL94V2	1	
⑥	RJ 45 JACK INSERT	8P8C GOLD PLATED	8	
⑤	PCB	1.0mm UL 94V0	1	
④	IDC BODY	PC UL 94V2	1	
③	IDC PIN	PHOSPHOR BRONZE & TINNED	8	
②	LABEL COLOR CODE	T568A/B	2	
①	IDC TERMINAL	FOR 23-26AWG CABLE	1	

SYNERGY21

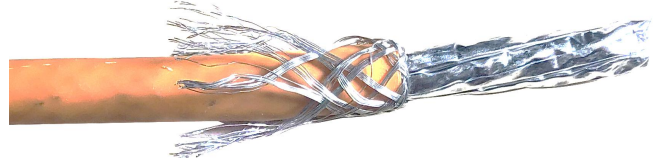
					CUSTOMER			ITEM NO.	S216379		
					PRODUCT NAME	Components Cat.6A Keystone Jack 180 degree Slim Type		manufacture country:	CHINA	UNIT	MM
					NEW	2021-11-16	A0	DRAWNBY	CHECKBY	APPOBY	DATE
BY	CHK	REVISION RECORD MODIFICATIONS			DATE	REV.	SYNERGY21	SYNERGY21	SYNERGY21	2021-11-16	

Installationsanleitung/Installation guide

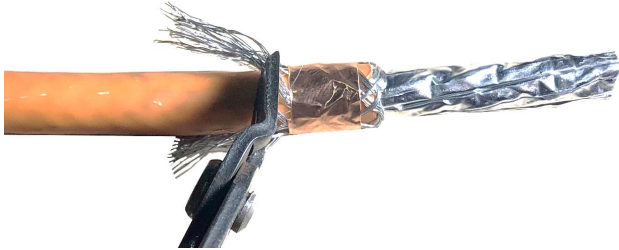
Super slim Cat.6A Keystone Jack



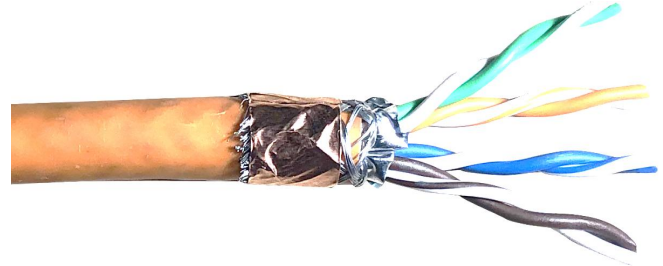
①.Stripping 4cm of sheath.



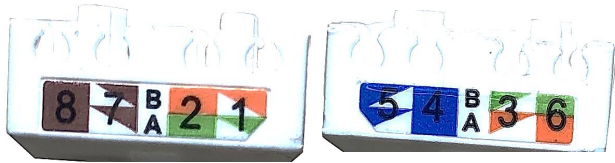
②.foldback braided and drained wire.



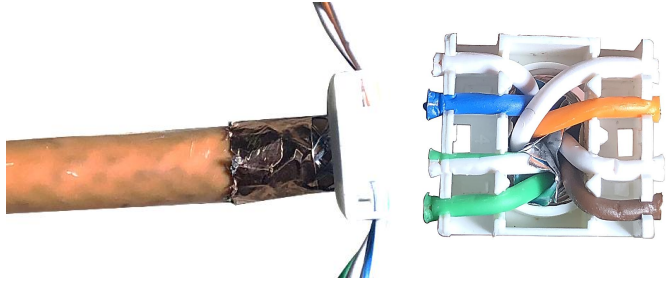
③.paste copper foil on the braided and ground wire and cut off the excess weave and the ground wire



④.4.Fan out all four twisted pairs, allocate each by following colorcoding label



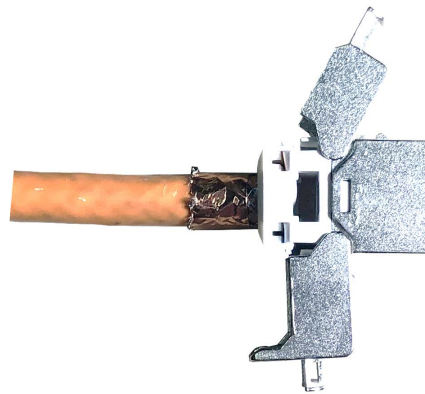
⑤.Across the holde by the color marks of T568A or T568B



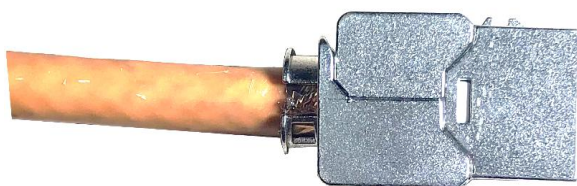
⑥. allocate each conductor into proper slots on wiring cap by following color coding



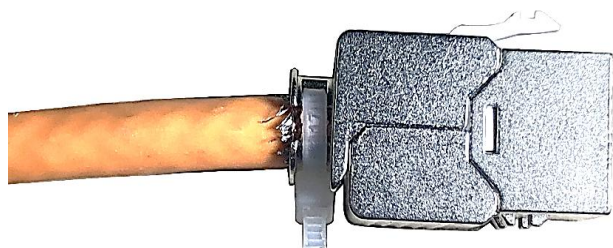
⑦.Trim the theends of conductors.



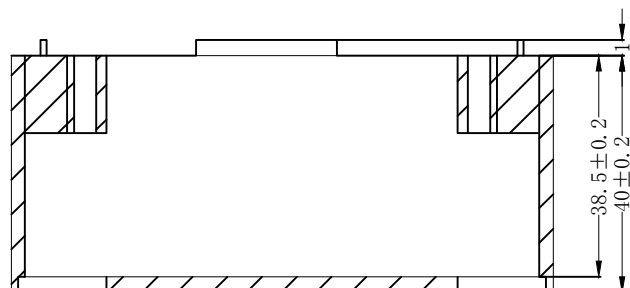
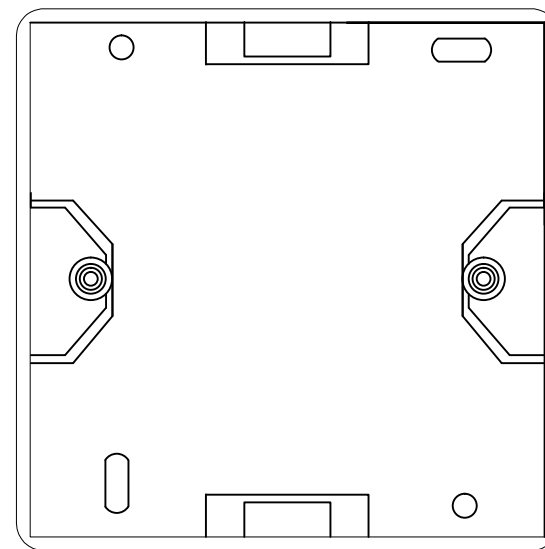
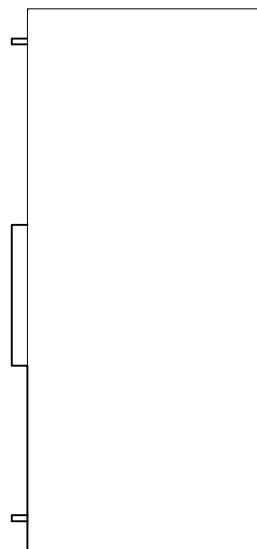
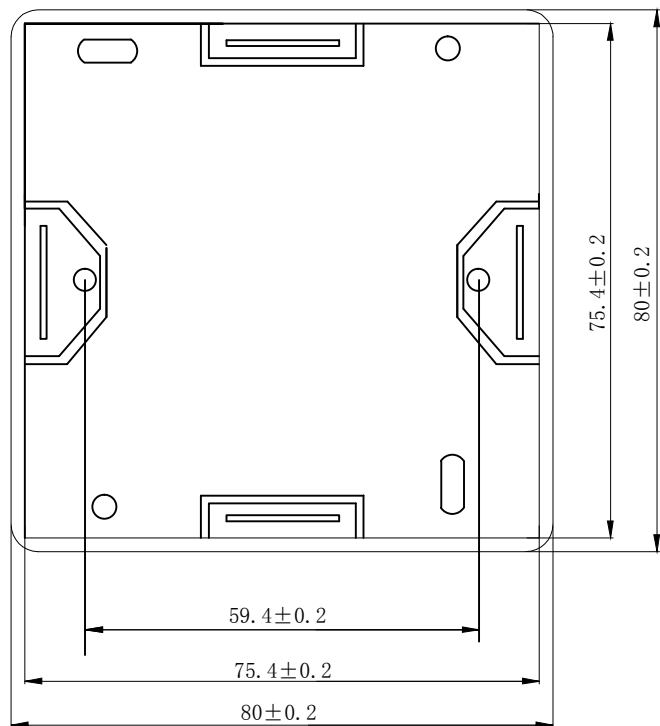
⑧.install the termination cap in direction of arrow into the keystone jack



⑨.press both covers of the keystone jack to contact the cable



⑩.use cable tie for strain relief and to fix the shielding clamp



ITEM NO.	COLOUR
S216328	Pure White RAL9010
S216329	Pearl White RAL1013

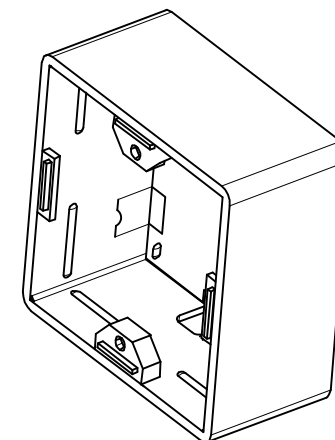
NOTE:

MATERIAL: ABS

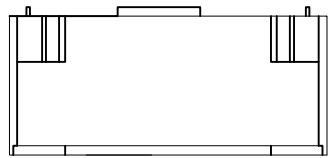
SIZE: 80MM*80MM*40MM

RoHS2.0 AND REACH COMPLIANT

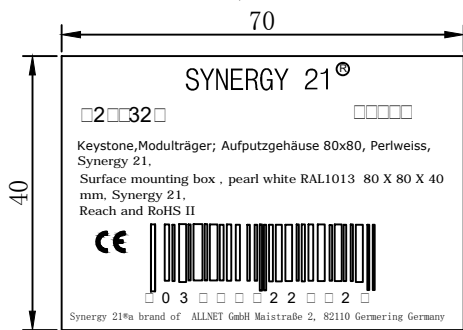
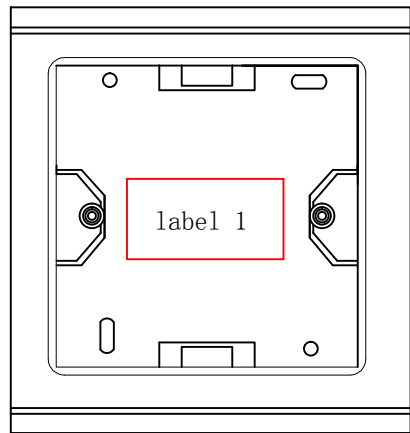
ACCESSORY: SCREW M3*14 2PCS



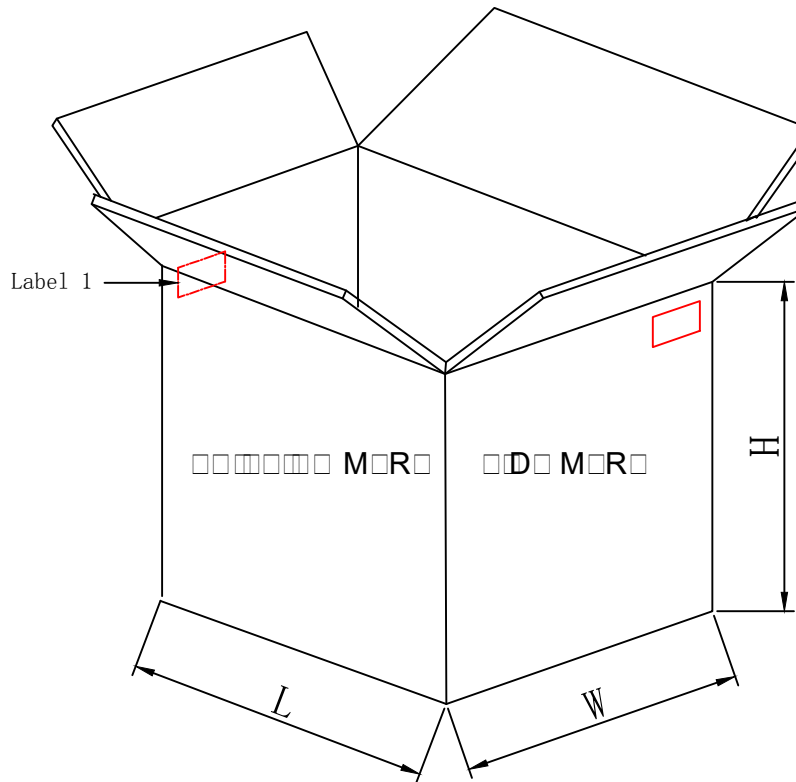
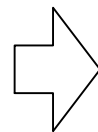
		UPDATE PACKING TYPE			2018-03-20	A3	SYNERGY 21					
		UPDATE PRODUCT			2014-09-24	A2	CUSTOMER		ITEM NO.	see the chart		
		UPDATE ROHS COMPLIANT			2013-07-10	A1	PRODUCT NAME	mounting box	manufacture country:	CHINA	UNIT	MM
		NEW			2011-07-11	A	DRAWNBY	CHECKBY	APPOBY	DATE		
BY	CHK	REVISION RECORD MODIFICATIONS			DATE	REV.	SYNERGY 21	SYNERGY 21	SYNERGY 21	2018-03-20		



mounting box+pe bag



pe bag label



96PCS/CTN+LABEL 1

SHIPPING MARK



PO NO. :
REACH and ROHS 2.0 Compliant
MADE IN CHINA

SIDE MARK

PO NO. :
Item no:
Q' TY:
N. W
G. W
Carton no.
MEAS.

1. Packing: 1PCS/PE Bag A+Label 1, 96PCS/CTN+LABEL 1
2. “工” type sealing
3. “井” type packaging

SYNERGY 21												
					CUSTOMER				ITEM NO.	see the chart		
UPDATE PACKING TYPE					2018-03-20	A3	PRODUCT NAME	PACKING	manufacture country:	CHINA	UNIT	MM
NEW							DRAWNBY	CHECKBY	APPOBY	DATE		
BY	CHK	REVISION RECORD MODIFICATIONS			DATE	REV.	SYNERGY 21	SYNERGY 21	SYNERGY 21	2018-03-20		