

NOTE:  
 1. Electronic test  
 1.1. Open/short 100% test  
 2. Tested by TOATLPHASE Advanced Cable Tester 2 for HDMI2.1 48G Support 7680\*4320@30Hz 4:4:4, 7680\*4320@60Hz DSC  
 3. TESTED BY PC:3840\*2160@120Hz, 3840\*2160@60Hz, 1920\*1080@60Hz

RoHS2.0[2011/65/EU]

| ITEM NO. | LENGTH  |
|----------|---------|
| 03-05025 | 1000±20 |
| 03-05155 | 1500±20 |
| 03-05035 | 2000±20 |
| 03-05045 | 3000±30 |

- Connections: HDMI-A plug to HDMI-A plug
- Resolution up to: 8K (60Hz), 4K2K (120Hz), 1080p (3D)
- Supports color sampling in 4:4:4, 4:2:2 and 4:2:0 format
- Supports: Dynamic HDR, HDR10, HLG, HDCP 2.2, HDCP 2.3, HDCP 1.4, 4K3D (120Hz), Display Stream Compression 1.2, HEC,
- 21: 9 Cinema Picture Format, 1080p High Frame Rate (HFR) 3D, Game Mode VRR, eARC, CEC 2.0, HDMI 2.1 Multichannel Sound Systems
- max. Bandwidth: 48 Gbps
- HDMI standard: Ultra High Speed with Ethernet
- Backwards compatible: to all HDMI standards

- Number of shieldings: 3
- Wire material: copper
- Plug: moulded
- Plug material: CuZnNi, gold plated
- Contact surface: gold-plated pins
- Plug cover: metal, ALU
- Cable type: round cable
- Material cable sheath: "Highflex" PVC
- Cable sheath diameter (ca.): 6.0mm

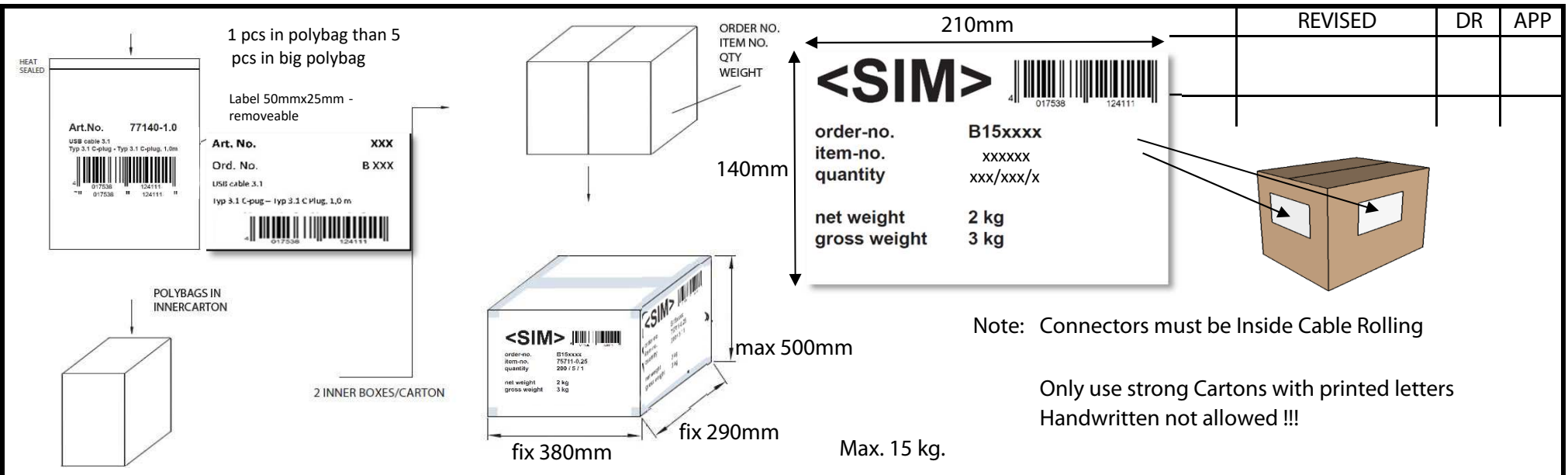


|  | REVISED | DR | APP |
|--|---------|----|-----|
|  |         |    |     |

|     |            |   |
|-----|------------|---|
| ⑤   | DUST COVR  | TRANSPARENT PE  |
| ④   | OUTER MOLD | ALUMINIUM/SILVER  |
| ③   | BOOT       | PVC/DARK BLUE   |
| ②   | HDMI AM    | HDMI 19PIN, A MALE, RED INSULATION, GOLD PLATED PIN, GOLD PLATED SHELL                                    |
| ①   | CABLE      | (30AWG/1 COPPER+*1P+E+AM)*5+30AWG/1 COPPER+*4+AL-FOIL+E+AL-MG BRAID, JACKET :PVC/DARK BLUE, OD: 6.0±0.2mm |
| NO. | PART NAME  | DESCRIPTION   |
| NO  | PART NAME  | PICTURES AND COLORS CAN DIFFER FROM THE PRODUCT!  |



| DESCRIPTION                    |    | HOME CINEMA DP ADAPTER CABLE, HDMI-A |            |          |  |     |          |
|--------------------------------|----|--------------------------------------|------------|----------|--|-----|----------|
| SIZE                           | A4 | DATE                                 | 17.08.2021 | CHECKED  |  | TOL | 03-05025 |
| UNIT                           | MM | DRAWN                                | R.Hueller  | APPROVED |  |     |          |
| CUSTOM TARIF NO.: 854442909000 |    |                                      |            |          |  |     |          |



Note: Connectors must be Inside Cable Rolling

Only use strong Cartons with printed letters  
Handwritten not allowed !!!

Max. 15 kg.

| ART.NO.  | LENGTH | ROLLING SIZE | NET.WEIGHT (g) | PACKING                                     | EAN CODE      |
|----------|--------|--------------|----------------|---|---------------|
| 03-05025 | 1.0m   | 155x140x20mm | 60g            | 100 EXP / 50 INNER - 5/1 in pb with sticker | 4017538134998 |
| 03-05155 | 1.5m   | 160x140x20mm | 80g            | 80 EXP / 40 INNER - 5/1 in pb with sticker  | 4017538135001 |
| 03-05035 | 2.0m   | 145x145x30mm | 100g           | 60 EXP / 30 INNER - 5/1 in pb with sticker  | 4017538135018 |
| 03-05045 | 3.0m   | 160x140x30mm | 150g           | 50 EXP / 25 INNER - 5/1 in pb with sticker  | 4017538135025 |
|          |        |              |                |   |               |
|          |        |              |                |   |               |
|          |        |              |                |   |               |
|          |        |              |                |   |               |
|          |        |              |                |   |               |
|          |        |              |                |   |               |
|          |        |              |                |   |               |
|          |        |              |                |   |               |
|          |        |              |                |   |               |
|          |        |              |                |   |               |
|          |        |              |                |   |               |

|                                |    |                                      |            |          |  |     |
|--------------------------------|----|--------------------------------------|------------|----------|--|-----|
| DESCRIPTION                    |    | HOME CINEMA DP ADAPTER CABLE, HDMI-A |            |          |  |     |
| SIZE                           | A4 | DATE                                 | 17.08.2021 | CHECKED  |  | TOL |
| UNIT                           | MM | DRAWN                                | R.Hueller  | APPROVED |  |     |
| CUSTOM TARIF NO.: 854442909000 |    |                                      |            |          |  |     |
| <b>03-05025</b>                |    |                                      |            |          |  |     |