

Technical requirement:

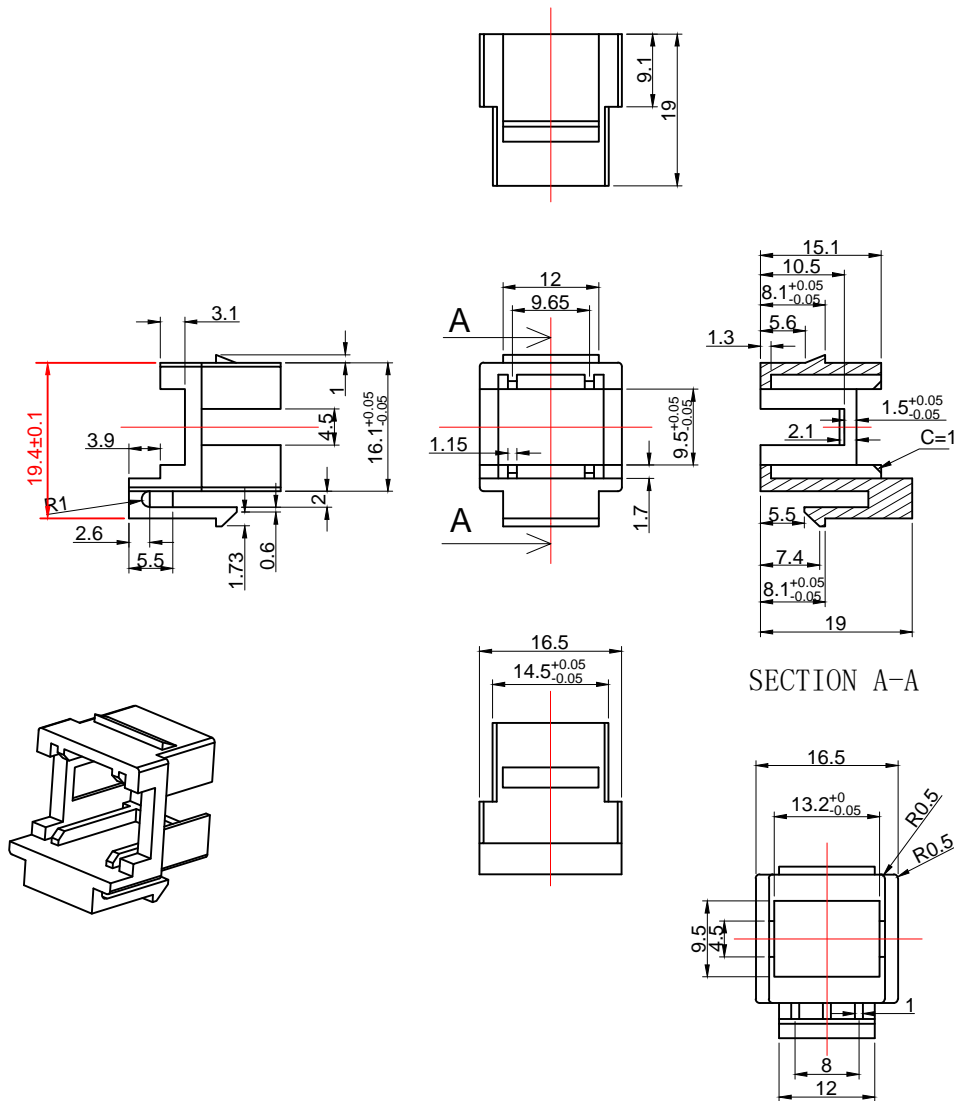
1. Unmarked tolerance dimension on the basis of SJ/T10628 - 1995 6 grade;
2. ROHS 2.0 AND REACH COMPLIANT
3. Accessory:
 - double faced adhesive tape-----1pcs
 - Nylon cable ties 2.5*80mm-----1pcs
4. Packing: 1PC/PE bag+label

MATERIAL LIST:

③	SCREW	ST4*20MM	1	
②	Base	ABS White RAL 9003	1	
①	roof cover	ABS White RAL 9003	1	
NO	MAT. NAME	DESCRIPTION	QT'Y	REMARK

SYNERGY 21											
CUSTOMER				ITEM NO.		S216347					
PRODUCT NAME		Surface Mount Box 1port		manufacture country		CHINA		UNIT MM			
NEW			2018-10-17		A		DRAWNBY		CHECKBY		
BY		CHK		DATE		REV.		SYNERGY 21		SYNERGY 21	
REVISION RECORD MODIFICATIONS			DATE		REV.		SYNERGY 21		SYNERGY 21		

REVISION RECORD MODIFICATIONS



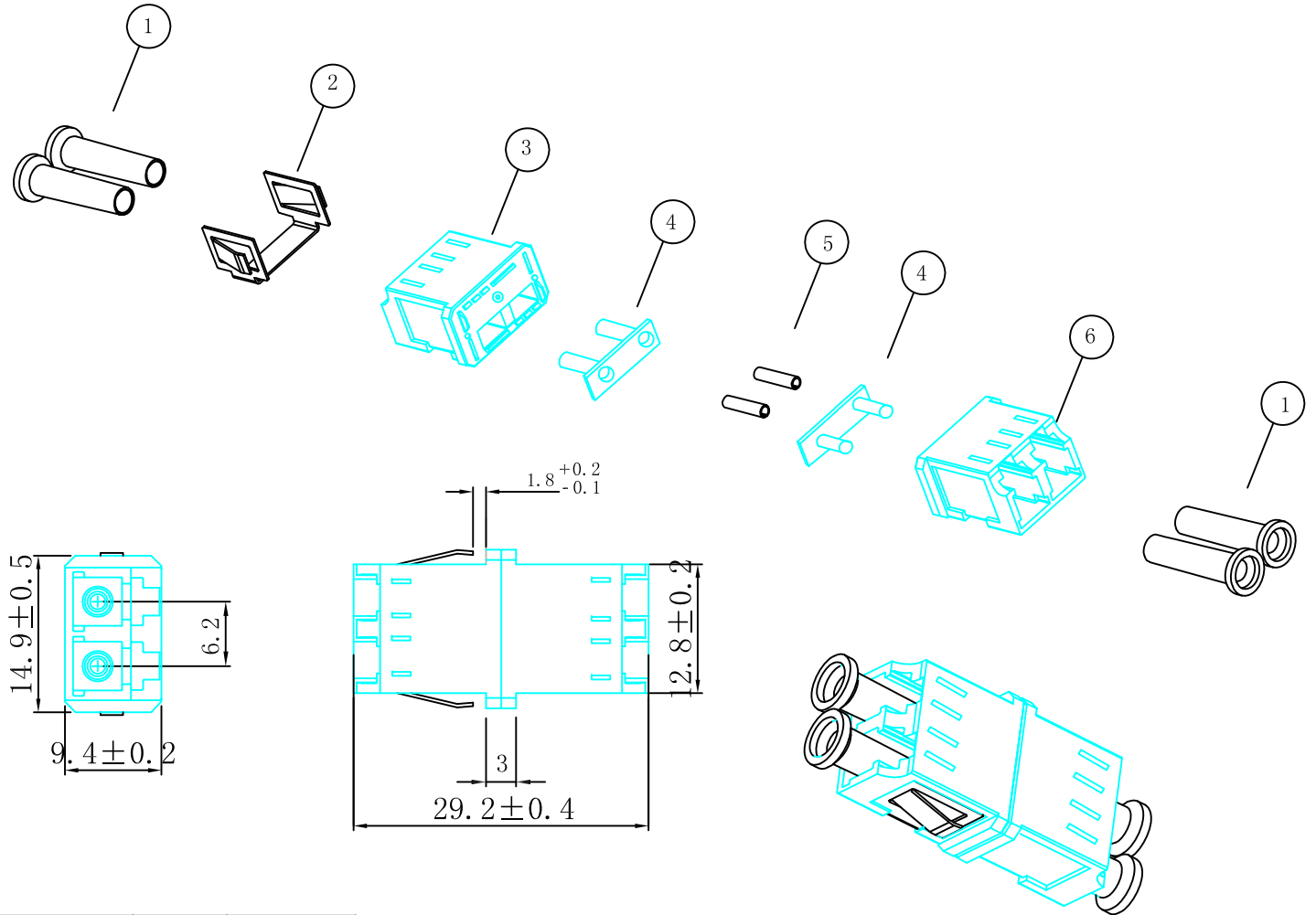
SECTION A-A

NOTES:

1. ABS Black
2. Keystone for LC duplex/SC simplex no flange Adapte
2. Packing:1pc/PE Bag+Lable
3. ROHS2.0 AND REACH COMPLIANT

SYNERGY 21					
CUSTOMER		ITEM NO.	S215479		
PRODUCT NAME	Keystone adapter	manufacture country:	CHINA	UNIT	MM
DRAWNBY	CHECKBY	APPOBY	DATE		
SYNERGY 21	SYNERGY 21	SYNERGY 21	2017-05-03		

BY	CHK	REVISION RECORD MODIFICATIONS	DATE	REV.
		NEW	2017-05-03	A



NOTE:
RoHS 2.0 & Reach COMPLIANT

Insertion Loss (dB)	≤ 0.20
Operating Temperature (° C)	-40 ~ +80
Storage Temperature (° C)	-40 ~ +85

MATERIAL LIST:

⑥	LC Aqua Body (SC simplex footprint)	1pcs	
⑤	LC Sleeve ceramic (Multi-Mode)	1pcs	
④	Aqua bush	2pcs	
③	LC Aqua Body (SC simplex footprint)	1pcs	
②	LC Metal Mount	1pcs	
①	LC White Dust Cap	4pcs	
NO.	SPECIFICATION STANDARD	QT' Y	REMARK

Chart:

NO.	ITEM NO.	EAN Number
1	S215481	4038816064554

SYNERGY 21									
CUSTOMER				ITEM NO.			See the chart		
PRODUCT NAME		LC MM Aqua (ceramic) Duplex Plastic Adapter (SC SX Footprint) w/o flange		manufacture country		CHINA		UNIT	MM
DRAWNBY		CHECKBY		APPOBY		DATE			
SYNERGY 21		SYNERGY 21		SYNERGY 21		2017-4-25			

NEW		2017-4-25		A	
BY	CHK	REVISION RECORD MODIFICATIONS		DATE	REV.