

ALLNET Touch Display Tablet 21 inch mounting frame



EAN CODE



flush mount / mounting frame for 21" inch tablet (142997)

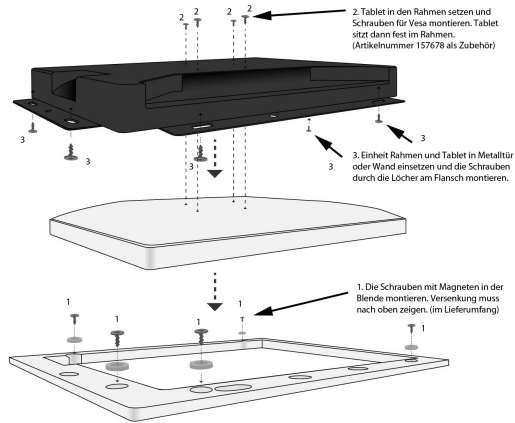
only the frame, without tablet!

Please note that the speakers and microphones are located on the back of the tablet and so the quality and volume of the sound options will be limited once the tablet is installed in a wall.

The tablet is screwed to the frame via the vesa mount and then mounted with it in a drywall or wooden wall. Walls are of course also possible, but is only conditionally recommended due to possible heat accumulation.

!!!Attention, the mounting frames are not compatible with our aluminum panels!!!!

Images supplémentaires





Accessoires

No. d'article	Désignation
146334	VESA wall mount for tablet, monitors very flat with securing
104257	VESA Wandhalterung Flepo - omicron-1 für Tablet, Monitore
104258	VESA Wandhalterung Flepo - omicron-2 für Tablet, Monitore
151701	ALLNET Touch Display Tablet 21 inch installation set
151730	ALLNET Touch Display Tablet 21 inch Installation set
186548	ALLNET Injecteur PoE Gigabit PoE & PoE+ (15,4W/30W)
157678	ALLNET Touch Display Tablet zbh. Schrauben Set 4xM3 u. 4xM4 zur Befestigung an Vesa Halterung
198301	VESA Standfuß Halterung höhenverstellbar für Tablet, Display
198302	VESA Standfuß Halterung höhenverstellbar für Tablet, Display
149144	VESA Adapterplatte Mini-PC an VESA Monitor-Halterung
161472	VESA Desktop Standfuß Halterung Flex für Tablet, Display, Mo
174452	VESA desktop stand mount Flex for tablet