

**MATERIAL LIST:**

|   |                |  |   |  |
|---|----------------|--|---|--|
| ⑧ | PE BAG         | SYNERGY 21 SLIP PE BAG   | 1 |  |
| ⑦ | LABEL          | NO DRY GLUE LABEL  | 1 |  |
| ⑥ | MINI TIE       | BLACK  | 2 |  |
| ⑤ | THUMB SCREW    | THUMB SCREW TO BE MOLDED BLACK PVC. NICKEL PLATED SCREW  | 2 |  |
| ④ | OVER MOLDING   | BLACK PVC  | 2 |  |
| ③ | HDMI CONNECTOR | HDMI 19PIN MALE, BLACK INSULATION, GOLD PLATED CONTACTS, NICKEL PLATED SHELL.                          | 1 |  |
| ② | DVI CONNECTOR  | DVI-D(18+1) MALE, BLACK INSULATION, GOLD PLATED CONTACTS, NICKEL PLATED SHELL.                         | 1 |  |
| ① | CABLE          | (30AWG BC*1P+E+FAM)*4PCS+30AWG BC*3C+30AWG BC*1P+AEB, BLACK PVC<br>JACKET OD: $6.0 \pm 0.2 \text{ mm}$ | 1 |  |

**NOTE:**

- Electrical test:
  - 100% OPEN AND SHORT TEST
  - CONDUCTOR RESISTANCE: 5 OHMS MAX
  - INSULATION RESISTANCE: 5 MEGOHMS MIN
  - HI-POT: DC200V/0.01S
  - Computer application testing 4K \* 2K@30Hz
- ROHS2.0 AND REACH COMPLIANT
- PRINT WORD: AWM STYLE 20276 80°C 30V VW-1 DVI
- PACKING: 1PCS/SYNERGY 21 bag + LABEL 1, 10PCS/PE BAG+ LABEL 2

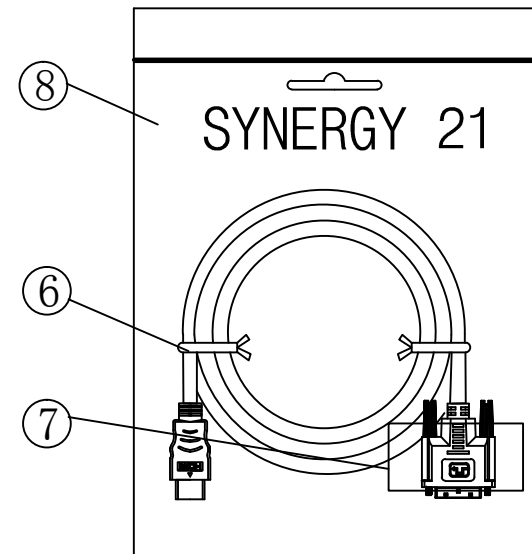
**SYNERGY21**

| NO.       | PARTS. NAME | SPECIFICATION STANDARD         | QT' Y        | REMARK | CUSTOMER     | ITEM NO.                      | SEE THE CHART              |
|-----------|-------------|--------------------------------|--------------|--------|--------------|-------------------------------|----------------------------|
| SYNERGY21 |             | Add Item No. : S215419 S215418 | 2017. 08. 31 | A1     | PRODUCT NAME | HDMI 19P<br>A/M-DVI (18+1) /M | manufacture country: CHINA |
|           |             | NEW                            | 2016. 01. 19 | A      | DRAWNBY      | CHECKBY                       | APPOBY                     |
| BY        | CHK         | REVISION RECORD MODIFICATIONS  | DATE         | REV.   | SYNERGY21    | SYNERGY21                     | SYNERGY21                  |

2017. 08. 31

Chart:

| COLOR:BLACK |           |                  |
|-------------|-----------|------------------|
| ITEM        | LENGTH    | PACKING          |
| S215419     | 1000±30MM | SYNERGY 21 A Bag |
| S215418     | 1500±30MM | SYNERGY 21 A Bag |
| S215403     | 2000±50MM | SYNERGY 21 B Bag |
| S215404     | 3000±70MM | SYNERGY 21 B Bag |



|           |     |                                |  |  |              |      |              |                              |                         |              |      |    |
|-----------|-----|--------------------------------|--|--|--------------|------|--------------|------------------------------|-------------------------|--------------|------|----|
|           |     |                                |  |  | SYNERGY21    |      |              |                              |                         |              |      |    |
|           |     |                                |  |  | CUSTOMER     |      |              | ITEM NO.                     | SEE TEH CHART           |              |      |    |
| SYNERGY21 |     | Add Item No. : S215419 S215418 |  |  | 2017. 08. 31 | A1   | PRODUCT NAME | HDMI 19P<br>A/M-DVI (18+1)/M | manufacture<br>country: | CHINA        | UNIT | MM |
|           |     | NEW                            |  |  | 2016. 01. 19 | A    | DRAWNBY      | CHECKBY                      | APPOBY                  | DATE         |      |    |
| BY        | CHK | REVISION RECORD MODIFICATIONS  |  |  | DATE         | REV. | SYNERGY21    | SYNERGY21                    | SYNERGY21               | 2017. 08. 31 |      |    |