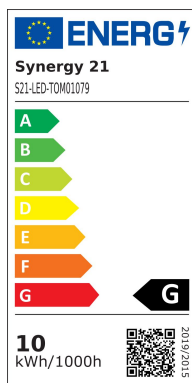
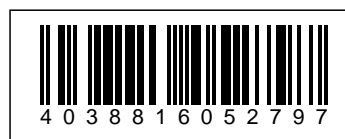


Synergy 21 LED Spot Outdoor floodlight 10W black housing - neutral white V2



kwh/1000h:	10,00
Lumens:	800
Watt:	10,0
Nominal Service Life:	35000 Std.
Switching Cycles:	50000
Opt. Ambient Temperature.:	25 °C



With emergency power function (from 80V approx. 20% brightness) and reversible overheating protection
Dimmable (leading edge and trailing edge phase dimmer)
Single-pane safety glass
Stainless steel mounting bracket
IP65 suitable outdoor cable H05RNF

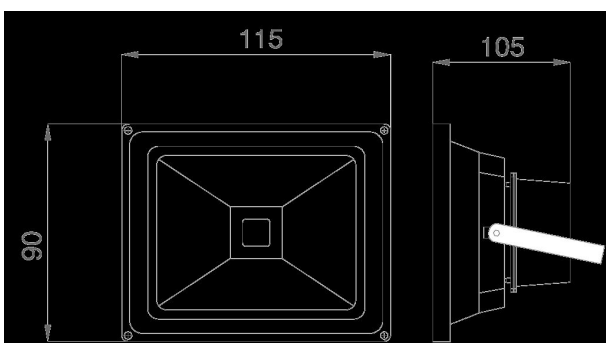
Operating voltage: 207 to 253Vac (47 to 63Hz)
LED: 10Watt high-power chip
Beam angle: 120°
Range approx. 15 metres
Lumen: 800lm, 80lm/Watt
Neutral white: 4100-4400K
Dimmable: yes (leading edge and trailing edge phase control dimmer)
Housing: injection moulded aluminium in black
Operating temperature: -10°C to +55°C
Protection class: IP65 (water jet-proof)
Dimensions: (l*w*h) 115*90*105mm

Energy efficiency class: A+
kWh/1000h: 10

Attributes

Attribute	Value
Abstrahlwinkel:	120
CRI:	>80
Dimmbar:	TRIAC
Grösse:	115*90*105
LED - Gehäusefarbe:	schwarz
LED - Gehäusematerial:	Aluminium
Lichtfarbe:	neutralweiß
Lichtfarbe in Kelvin:	4250
Lumen:	800
Schutzklasse:	IP65
Volt:	230
Weight:	0.69 Kg

Additional Images



Accessories

Part No.	Name
82434	Finder Twilight Switch suitable for Synergy 21 LED outdoor spotlight
148726	Synergy 21 - Waterproof connector 1:1
148727	Synergy 21 - Waterproof connector 1:2
148730	Synergy 21 - Waterproof connector box 3 ports
148729	Synergy 21 - Waterproof connector box 3 ports transparent
148728	Synergy 21 - Waterproof connector box 4 ports
134568	Finder motion detector IP55
113414	Finder motion detector IP54
147265	Netzkabel 230V Schutzkontakt CEE7(Stecker)->Open End mit Adernendhülsen, 1,8m,Black