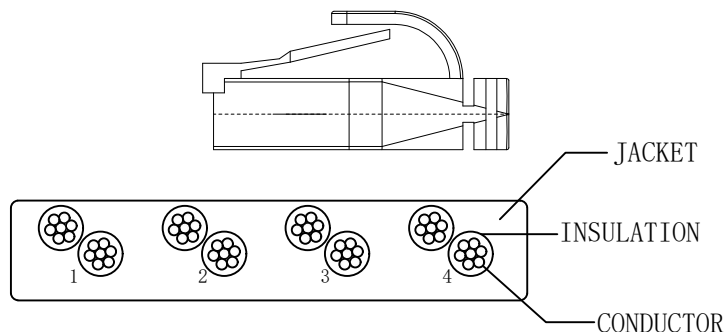
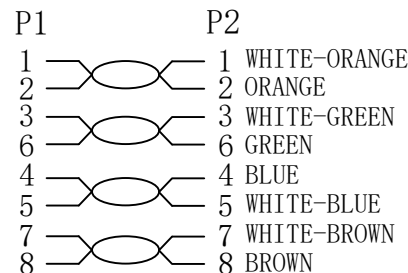


WIRING DIAGRAM



MATERIAL LIST

⑥	LABEL	NO DRY GLUE LABEL	1	
⑤	MINI TIE	PE MINI TIE (POSSESS METAL)	2	
④	BAG	SYNERGY 21 SLIP PE BAG	1	
③	OVER MOLD	PVC SEE THE CHART	2	
②	CONNECTOR	RJ45 8P8C Unshielded Plug, Pin Gold Plated 3u", Transparent blue	2	
①	CABLE	U/UTP CAT.6 32AWG(7/0.08BC*1P)*4PAIRS JACKET:PVC OD:T=2.0±0.2mm W=6.0±0.2MM	1	
NO.	PARTS NAME	SPECIFICATION STANDARD	QT' Y	REMARK

NOTE:

- 100% OPEN SHORT, MISS WIRE TEST
- Fluke channel test
Test limit: ISO 11801 CHANNEL CLASS E
- Conform to the standard: ANSI/TIA 568-C.2 & EN 50173-1 & ISO/IEC 11801
- PRINT WORD: CAT.6 U/UTP FLAT CABLE 250MHz CONFORM TO ISO/IEC 11801 & EN50173-1 & ANSI/TIA-568-C.2 PVC www.Synergy21.de **CE**
- ROHS 3.0 AND REACH COMPLIANT

		"ROHS 2.0" to "ROHS 3.0"	2022-04-07	A4	SYNERGY 21					
		Change plug to Transparent Blue	2019-03-08	A3						
		ADD 0.15M, change grey 421C, change plug Transparent Red	2018-03-19	A2	CUSTOMER		ITEM NO.	SEE THE CHART		
		ADD "www.Synergy21.de" IN THE PRINT WORD	2016-05-24	A1	PRODUCT NAME	CAT.6 U/UTP FLAT PATCH CORD	manufacture country:	CHINA	UNIT	MM
		NEW	2014-09-24	A	DRAWN BY	CHECK BY	APPO BY	DATE		
BY	CHK	REVISION RECORD MODIFICATION	DATE	REV.	SYNERGY 21	SYNERGY 21	SYNERGY 21	2014-09-24		

