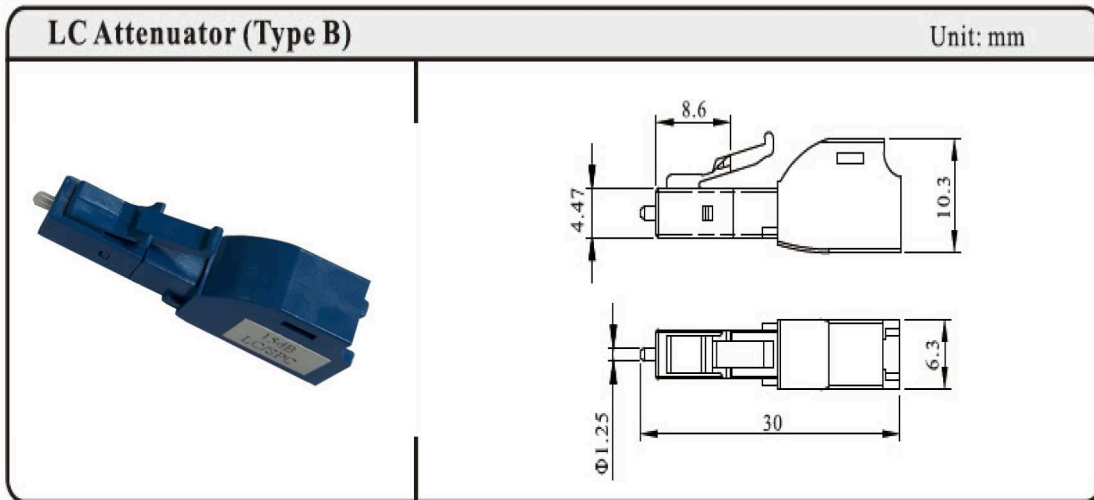


# DATENBLATT

Dämpfungsglied LC/SPC

Art. Nr.: 533680.X



## Eigenschaften

Item	Specifications	
	A Grade	P Grade
Wavelength	850nm (Multi-Mode)	
Attenuation Tolerance(dB)	2dB,5dB,10dB <math>\leq \pm 1.0\text{dB}</math>	2dB,5dB,10dB <math>\leq \pm 0.5\text{dB}</math>
	15dB <math>\leq \pm (10\% \times A)^*</math>	15dB <math>\leq \pm (5\% \times A)^*</math>
Return Loss	/	
Operating Temperature	-40°C ~ +75°C	
Storage Temperature	-40°C ~ +75°C	
Note: A = Attenuation Value		

Item	Specifications	
	A Grade	P Grade
Wavelength	1310nm and 1550nm (Single-Mode)	
Attenuation Tolerance(dB)	1-10dB <math>\leq \pm 1.0\text{dB}</math>	1-10dB <math>\leq \pm 0.5\text{dB}</math>
	11-25dB <math>\leq \pm (10\% \times A)^*</math>	11-25dB <math>\leq \pm (5\% \times A)^*</math>
Return Loss	RL <math>\leq -50\text{dB}</math> (UPC) RL <math>\leq -60\text{dB}</math> (APC)	
PDL	<math>< 0.1\text{dB}</math>	
Operating Temperature	-40°C ~ +75°C	
Storage Temperature	-40°C ~ +75°C	
Note: A = Attenuation Value		



Art.-Nr.	533680.X	Datei	533680.X.indd		
Beschreibung	Dämpfungsglied LC/SPC				
Erstellt	Datum	Letzte Revision	Datum	Geprüft	Datum
JB	20.07.2016	JB	20.07.2016	JB	20.07.2016