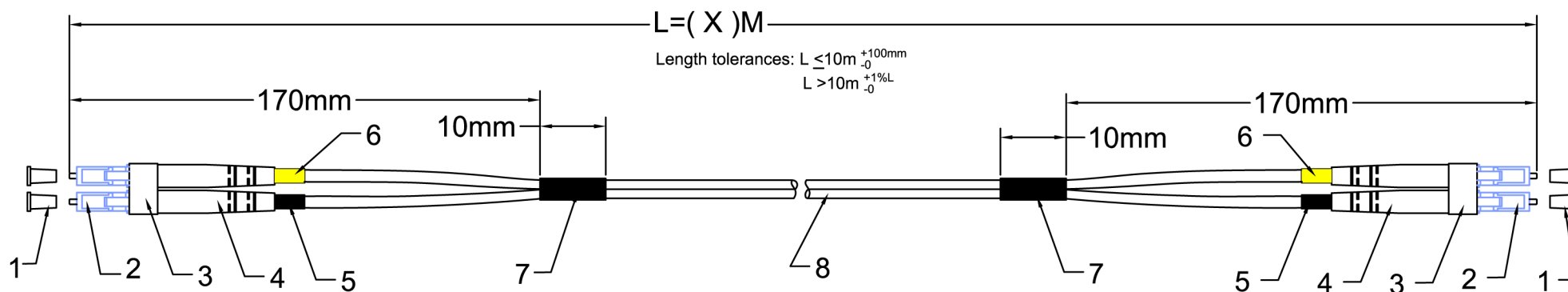


## LC/UPC - LC/UPC Duplex Jumper, I-V(ZN)H 02E 9/125 $\mu$ OS2, LSZH Yellow Jacket, x meter



### Specifications:

1. Insertion Loss: < 0.3dB @1310nm  
Return Loss: > 55dB@1310nm
2. End surface test is according to OP-03-05001
3. Test standard: GR-326-CORE
4. Test report has to match the serial No.
5. RoHS compliant
6. Fiber cable according to IEC 60793-2
7. LC connector according to IEC 61754-20

**RoHS  
compliant**

8	Ø2.0mm SM duplex OS2 50/125 $\mu$ LSZH Yellow cable	
7	Heat shrink tube, black	2
6	LC shrink tube, yellow	2
5	LC shrink tube, white	2
4	LC 3.0 boot, white	4
3	LC clip, clear	2
2	LC SM 2.0 connector, Blue	4
1	LC dust cover	4
Item	Description	Qty

LC/UPC - LC/UPC Duplex Jumper, I-V(ZN)H 02E 9/125 OS2, LSZH Yellow Jacket, x meter	
Part No: O0350.x	
Drawing No:	Page :1 of 3