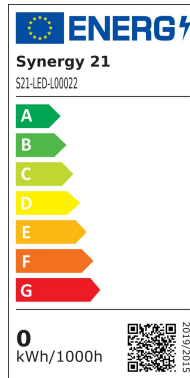


## Synergy 21 LED in-ground floodlight ARGOS round minimax IP65 RGB 90°



kwh/1000h:	0,50
Lumens:	100
Watt:	0,8
Nominal Service Life:	35000 Std.
Switching Cycles:	15000
Opt. Ambient Temperature.:	25 °C



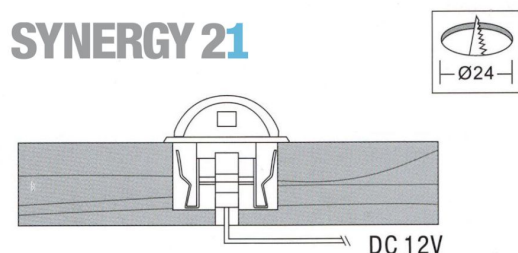
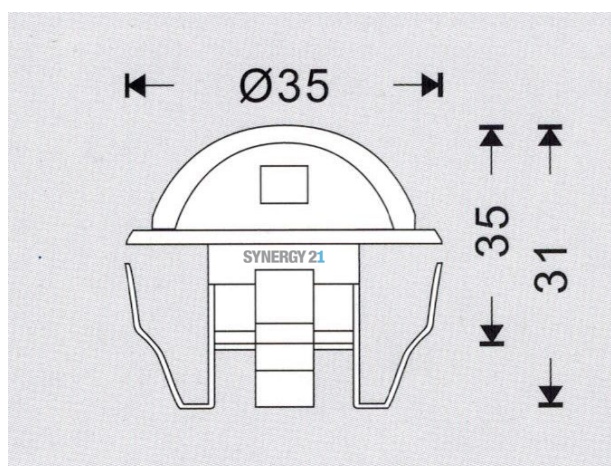
Voltage: DC 12V  
Power: 0,8W  
LED light colour: RGB  
LED: 1 piece SMD5050  
Cover: tempered glass, loadable up to 100kg  
Material: Zinc alloys  
Protection class: IP65  
Size: Ø 35mm, height 31mm  
Installation dimension: Ø 24mm  
Weight: 60g  
Connection cable: AWG22 (4-pin) with IP65 plug

## Attributes

Attribute	Value
Ampere:	0.06
CC oder CV:	CV
Dimmbar:	abhängig vom Netzteil
Grösse:	35*31
LED - Gehäusefarbe:	Silber

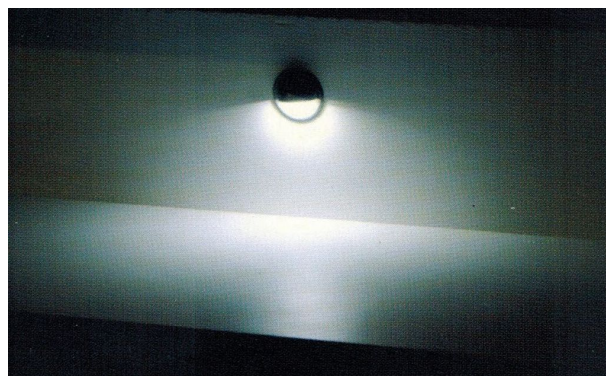
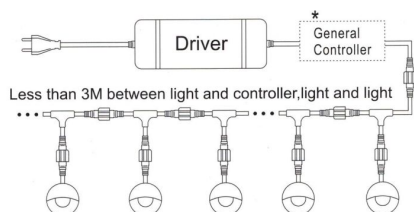
Attribute	Value
LED - Gehäusematerial:	Edelstahl
Lichtfarbe:	RGB
Schutzklasse:	IP65
Volt:	12
Weight:	0.08 Kg
Warranty:	60.00 Months

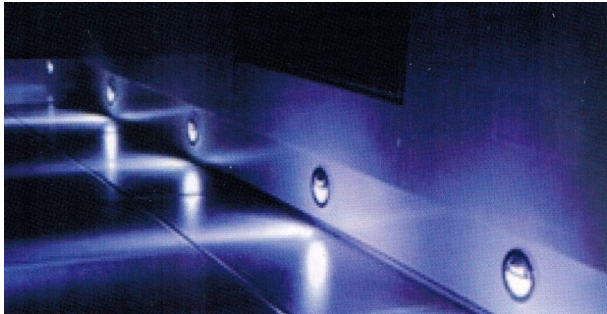
## Additional Images



### SYNERGY 21

\* General Controller is used to control the RGB light.





## Accessories

Part No.	Name
109459	Synergy 21 ARGOS LED in-ground floodlight with RGB controller IP67
109470	Synergy 21 LED in ground ARGOS zub Tee IP67 RGB
109464	Synergy 21 LED in ground ARGOS zub Extension Cable IP67 1m RGB
109465	Synergy 21 LED in ground ARGOS zub Extension Cable IP67 2m RGB
109466	Synergy 21 LED in ground ARGOS zub Extension Cable IP67 3m RGB
109472	Synergy 21 LED recessed floor spotlight ARGOS with junction box IP67 RGB
109468	Synergy 21 LED in-ground spotlight ARGOS with distribution cable IP67 RGB
109473	Synergy 21 LED in ground ARGOS zub end cap IP67
109458	Synergy 21 LED in ground ARGOS zub power supply 12V / 30W IP67
109456	Synergy 21 LED recessed floor floodlight ARGOS with power supply 12V / 3W IP67
109457	Synergy 21 LED in ground ARGOS zub power supply 12V / 8W IP67
109416	Synergy 21 ARGOS LED in-ground spotlight with RGB controller