

# User Manual

## ModIT-Boss



# 1. Table of Contents



---

1. Table of Contents .....	2
2. Safety .....	3
2.1. Signal word panel .....	3
2.2. Safety alert symbol .....	4
2.3. Pictograms .....	4
2.4. Product modification .....	4
2.5. Power supply .....	5
2.6. Storage and Installation .....	6
3. Getting Started .....	7
3.1. What's Included .....	7
3.2. Connecting to the mains .....	7
3.3. Registration .....	7
3.4. Cleaning your ModIT-Boss .....	8
4. Installing Host System .....	9
5. Product Specifications .....	12
5.1. Input Power Requirements .....	12
5.2. Physical specifications .....	12
6. Compliance and Standards .....	13

## 2.Safety


This user manual is for informational purposes only, it contains information for start-up and operation of this product. Note: the contents and the product described are subject to change without notice. To avoid injuries and damage observe the safety instructions of the user manual.

Understanding and observing the instructions in this user manual are prerequisites for hazard-free use and safety during operation. This user manual cannot cover all conceivable applications. If you would like additional information or if problems arise that are not sufficiently addressed in this manual please ask your distributor or contact us directly using the means preferred which are located on the back cover of this manual.

	 <b>CAUTION</b>
	<p><b>Personal Injury and Damage to the product</b></p> <ul style="list-style-type: none"> <li>• Observe the safety instructions in this user manual</li> </ul>

### 2.1.Signal word panel

Depending on the probability of serious consequences, potential dangers are identified with a signal word, the corresponding safety colour, and if appropriate, the safety alert symbol.

 <b>CAUTION</b>
<p>Indicates a potentially hazardous situation which, if not avoided, may result in moderate or minor (reversible) injury.</p>

<b>CAUTION</b>
<p>Indicates a potentially hazardous situation which, if not avoided, may result in damage to the product and/ or its functions or of a property in its proximity.</p>

## 2.2.Safety alert symbol



Use of the safety alert symbol indicates a risk of injury.

Observe all measures that are marked with the safety alert symbol in order to avoid injury


## 2.3.Pictograms


Warning Signs	
 Electrical hazard	 Fire Hazard
Mandatory action signs	
 Read operating instructions	 Mandatory regulation

## 2.4.Product modification

Cambrionix products are designed and manufactured to meet the requirements of UK and International safety regulations. Modifications to the product could affect safety and render the product non-compliant to relevant safety standards, which could result in injury or damage to the product.


	<b>CAUTION</b>
	<p><b>Electric shock or personal injury may occur</b></p> <ul style="list-style-type: none"> <li>• Do not modify the product in any way</li> <li>• Do not dismantle the product</li> </ul>


	<b>⚠ CAUTION</b>
	<p style="text-align: center;"><b>Fire or personal injury may occur</b></p> <ul style="list-style-type: none"> <li>• Do not obstruct air vents on the product</li> <li>• Do not cover the product in combustible material</li> </ul>

	<b>CAUTION</b>
	<p style="text-align: center;"><b>Damage to your product may occur</b></p> <ul style="list-style-type: none"> <li>• Do not bend or compress any part of the product</li> </ul>

## 2.5. Power supply


This section describes safety precautions you must follow when using the power supply.


	<b>⚠ CAUTION</b>
	<p style="text-align: center;"><b>Electric shock or personal injury may occur</b></p> <ul style="list-style-type: none"> <li>• Do not use a damaged power cord or plug, or a loose power socket</li> <li>• Do not touch the power plug with wet hands</li> <li>• Do not allow liquids to come into contact with the unit or power supply</li> </ul>


	<b>CAUTION</b>
	<p style="text-align: center;"><b>Damage to your product may occur</b></p> <ul style="list-style-type: none"> <li>• Do not short circuit the Power Supply Unit (PSU) supplied with your product</li> <li>• Do not disconnect the power cord while the product is being used</li> <li>• Do not bend or pull the power cord with excessive force</li> </ul>

## 2.6.Storage and Installation

This section describes safety precautions you must follow when installing and storing your ModIT-Boss.

	<b>⚠ CAUTION</b>
	<p style="text-align: center;"><b>Electric shock or personal injury may occur</b></p> <ul style="list-style-type: none"> <li>• Do not place the power cord near heat sources</li> <li>• Connect the plug to an earthed socket</li> </ul>

	<b>CAUTION</b>
	<p style="text-align: center;"><b>Damage to your Cambrionix product may occur</b></p> <ul style="list-style-type: none"> <li>• Operate the product only in an environment where the ambient temperature is inside the operating temperature range</li> <li>• Operate the product only in an environment where the relative humidity is inside the operating range</li> <li>• Be careful not to leave the power cord underneath a heavy object</li> </ul>

	<b>⚠ CAUTION</b>
	<p style="text-align: center;"><b>Overheated power sockets may cause a fire</b></p> <ul style="list-style-type: none"> <li>• Do not overload the power socket that your hub is connected to</li> <li>• Insert the power plug all the way into the socket so that it is not loose</li> </ul>

## 3. Getting Started

---

### 3.1. What's Included

- 2m Mains power cable (Country specified on order)
- ModIT-Boss Unit

### 3.2. Connecting to the mains



Making sure you adhere to local safety regulations, connect the power cable to the socket and switch the power supply on.

### 3.3. Registration

You may register your product at [www.cambrionix.com](http://www.cambrionix.com)

## 3.4.Cleaning your ModIT-Boss

Cleaning the product is generally not required, although in some instances it may be necessary if excess dirt/ dust/ hair has accumulated, or if minor liquid spillages have occurred on the module during operation or storage.

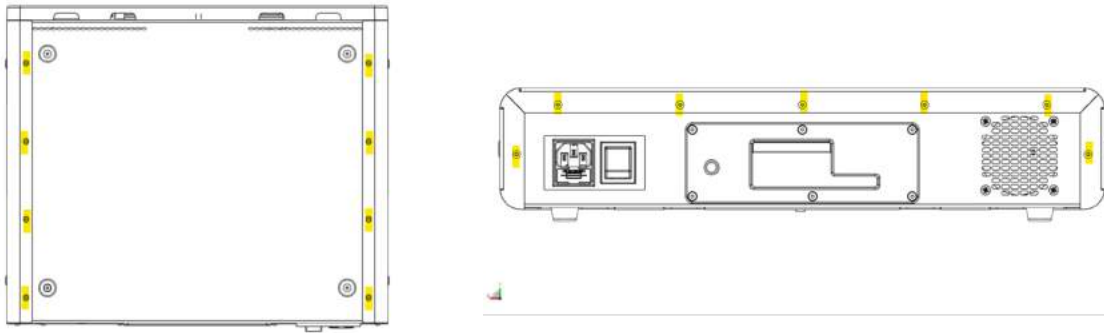
	 <b>CAUTION</b>
	<p><b>Electric shock or personal injury may occur</b></p> <ul style="list-style-type: none"> <li>• If there is a dirt/ spillage over a ventilation slot, external data/ power connector or product aperture, please remove power from the unit without touching the liquid and contact Cambrionix immediately</li> </ul>

- Ensure that the product is switched off and the power cord is removed from the product. Hold the power cable by the plug and do not touch either the plug or the power cord with wet or damp hands as an electrical shock may result
- Wipe the product with a clean, dry and soft cloth. Do not use detergents which contain alcohol, solvent or surface-active agents. Do not spray water or detergent directly onto the product
- Wet a soft and dry cloth in water and wring thoroughly to clean the product as required
- Dry the product thoroughly once the cleaning has finished
- Reconnect the power cord and use your product as advised once cleaning and drying is complete



## 4. Installing Host System

One of the features of the Boss Module is the ability to install a Mac mini inside. This provides different levels of sophistication to the ability of your device.

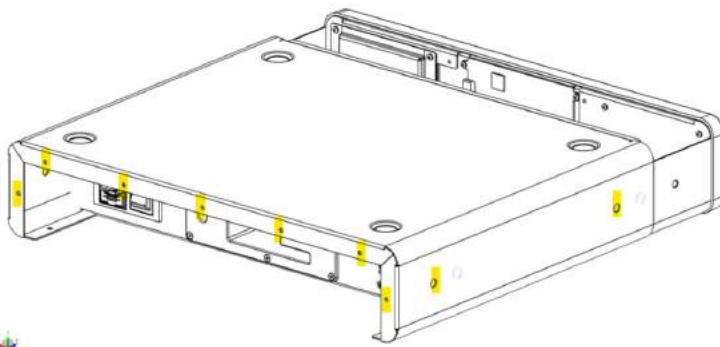


There are 8 screws on the underside of the case and 7 on the rear that need to be removed there are also two pins on each side of the boss unit that will need to be removed.

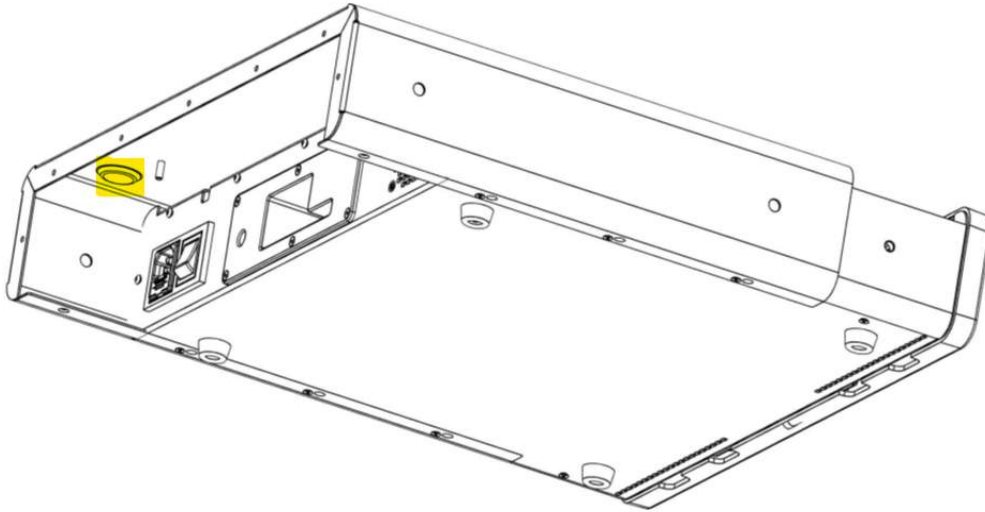
Remove these using a screwdriver and slide the top of the Boss Module 4 inches, as demonstrated in the in the graphic below.



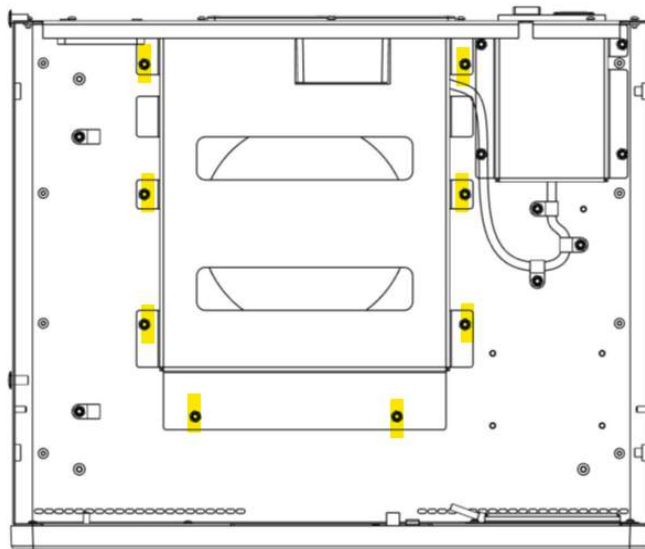
The graphic below demonstrates how the product should look at this stage. Notice the highlighted yellow screws, which should all have been removed at this point



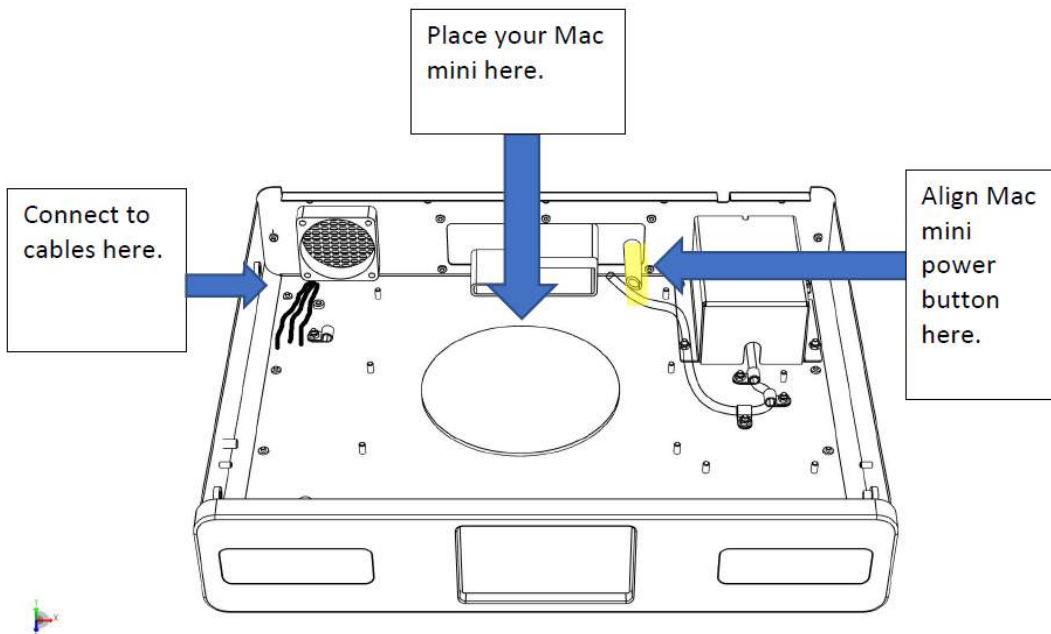
With a spanner, undo the highlighted nut below. Once removed, it will allow you to slide the lid off fully.



Once the lid is completely removed, it will reveal the inside of the product. Next, remove the screws (highlighted in yellow) in order to remove the Mac mini chassis.



Once you have removed the Mac mini chassis place your Mac mini on the circular mat (outsides highlighted below). You can then attach the mini Mac to the three wires on the left.



Once the Mac mini is securely, reattach the Mac mini chassis. and the side panels in the same order that they were removed.

You have now successfully installed your Mac mini into the Boss Module.

## 5. Product Specifications

---

### 5.1. Input Power Requirements

Input Voltage	100-240 VAC
Input Current	1.5A
Input Connection	C14

### 5.2. Physical specifications

Ambient Operating Temperature range	0-35°C
Relative humidity	5% to 95% non-condensing
Dimensions	445 x 89 x 370mm
Weight	5.8kg
Rfid operating frequency	125/132 kHz and 13.56MHz
Host system space	MacMini, Intel NUC, Raspberry Pi

## 6.Compliance and Standards

---

- CE Tested and marked
- CB Certificate
- Complies with EN60950 safety requirements for IT equipment
- FCC Part 15 Tested and marked
- Housed within a UL94-VO specification fire enclosure
- RoHS Compliant
- Independently safety tested by the Underwriters Laboratory (UL) under file #E346549

## Use of Trademarks, Registered Trademarks, and other Protected Names and Symbols

This manual may make reference to trademarks, registered trademarks, and other protected names and /or symbols of third-party companies not related in any way to Cambrionix. Where they occur these references are for illustrative purposes only and do not represent an endorsement of a product or service by Cambrionix, or an endorsement of the product(s) to which this manual applies by the third-party company in question.

Cambrionix hereby acknowledges that all trademarks, registered trademarks, service marks, and other protected names and /or symbols contained in this manual and related documents are the property of their respective holders

"Android™ is a trademark of Google LLC"

"Chromebook™ is a trademark of Google LLC."

"iOS™ is a trademark or registered trademark of Cisco in the US and other countries and is used under license."

"Linux® is the registered trademark of Linus Torvalds in the U.S. and other countries"

"Microsoft™ and Microsoft Windows™ are trademarks of the Microsoft group of companies."

Cambrionix Ltd  
The Maurice Wilkes Building  
Cowley Road  
Cambridge CB4 0DS  
United Kingdom

+44 (0) 1223 755 520  
[enquiries@cambrionix.com](mailto:enquiries@cambrionix.com)  
[www.cambrionix.com](http://www.cambrionix.com)