

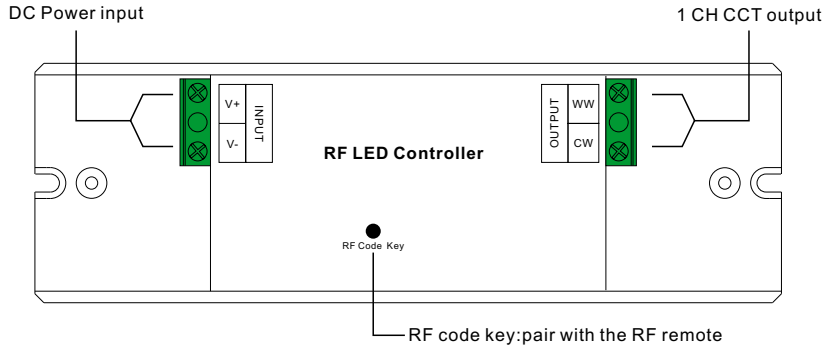
RF CCT LED Receiver

70020031

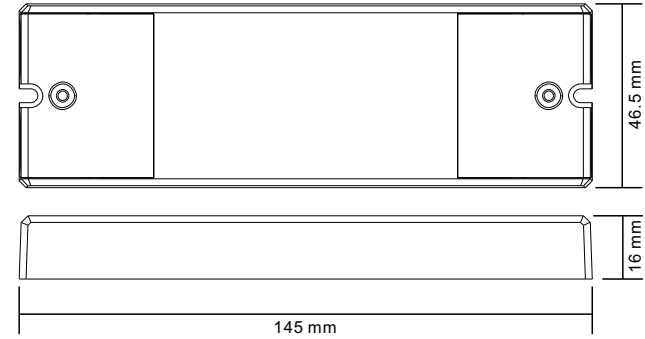


Important: Read All Instructions Prior to Installation

Function introduction



Product Dimension



Product Data

Input Voltage	Output Current	Output Power	Remarks	Size(LxWxH)
12-24VDC	5A	60-120W	Constant voltage	145x46.5x16mm

- Radio Frequency : 868/915/434mhz
- Waterproof grade: IP20

Safety & Warnings

- DO NOT install with power applied to device.
- DO NOT expose the device to moisture.

Pair/delete the pairing with RF remote

1. Do wiring according to connection diagram.
2. Pair RF Receiver with RF remote: please refer to the instruction of the remote that you would like to pair with.
3. Delete the pairing:
 - (1) Wire up the RF receiver correctly, power on.
 - (2) Press and hold down the "RF Code Key" button on receiver for over 3 seconds until the connected light flashes, which means well deleted.

Wiring Diagram

