

## ALLNET ALL3419 / IP Building-Autom. 3x I2C, 1x USB, LAN/WLAN

>>> [Go to the shop article](#)



### EAN CODE



## Temperature measurement via network easy made

### Highlights:

- detection of Temperature / Humidity / Gas / Smoke / Movement etc. via network
- Robust metal housing
- Brackets for attachment to wall
- Suitable for all operating systems
- 1x ALL3006 Temp-Sensor including
- Flexible/Multiple Installation of different ALLNET Building-Automation Units can be controlled in one Web-GUI with JSON API
- **Optional Free-Software Modules like SNMP / FTP Upload / POST\_GET / Upload into PoE Clock/Counter / EnOcean /**

The ALLNET ALL3419 IP Thermometer/Automation-Building-Main-Unit is a flexible and economical solution for temperature measurement over a network. The very compact design makes it suitable for use in confined spaces. The rugged metal housing has tabs for mounting on walls and ceilings and protects against mechanical damage.

The ALL3419 IP Thermometer/Automation-Building-Main-Unit is connected to a computer network via cable or WLAN and is accessible by an IP address. The measured values can be accessed via web browser on the device itself. No additional software is required for operation. Thus the ALL3419 is appropriate for all operating systems.

The temperature is measured by the included I2C RJ45 temperature sensor ALL3006. Another internal onboard sensor shows the internal system temperature. With the optional ALL3018 temperature & humidity sensor can detect also humidity. The measurement intervals can be set second by second. The last 512 values can be shown



directly as a graphical trend. Additional Sensors and Actors can be also measure Gas / Movement etc. see <http://www.allnet.de/en/allnet-brand/produkte/home-automation/home-automation-sensoren/>

## Intelligent features and programming by switching matrix

Depending on measured values certain actions can be programmed over the software based switching matrix. For example, if temperature is above or below defined limits, the readings can be sent by email. This may once, several times, and/or in certain time intervals, so long as the matrix condition exists.

Another possibility is switching of external IP switching devices, such as network-sockets series ALL307x or network-relay ALL4075/4175 as well as directly connected actuators, for example the relay module ALL4427/3527. Alternatively can be switches also over the JSON Protocol.

## Flexible installation options

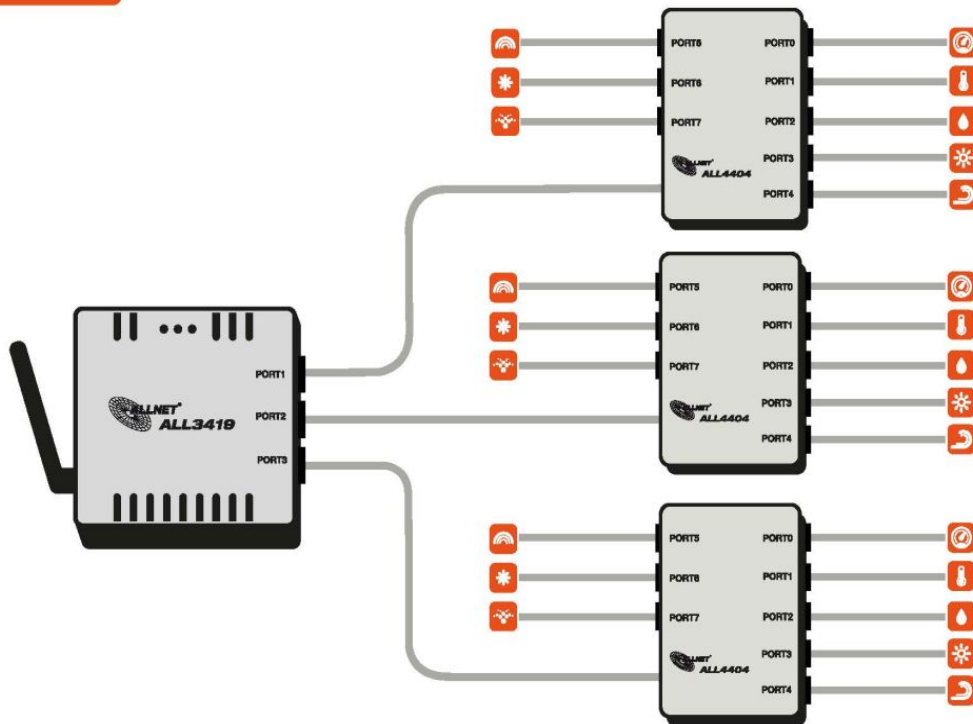
The external sensors can be plugged directly on ALL3419 or can be connected remotely via a control line. For remote connection a simple network cable (RJ45 connector, Cat. 5) is suitable to connect the sensors with the CPU. This way of connection is used in all ALLNET Home Automation products. For this purpose, an existing cable network such as already installed network or telephone lines can be used. The maximum cable length between CPU and sensor module can be up to 100 meters. The power supply of the sensor modules is already done via the main unit. A separate power source for each sensor module is not necessary.

## Borderless Cross-site temperature measurement

Several ALL3419 can operate in conjunction with the bigger control and measurement computers ALLNET ALL3500/3505/4500 or ALL5000, to show a lot of geographically distributed values in a centralized way. Each individual ALL3419 is queried over an individual IP address and centrally stored and displayed in all the other Main-Units like ALL3418v2/3419/3500/3505/4500/5000 etc.

## Maximum number of sensors per ALL3419:

**24x** ALL3419 + ALL4404



Element	Specification
Sensor interface:	3x RJ45 for sensor/actor modules 1x USB 2.0 for additional Wireless Dongles like "EnOcean or Plugwise" 1x RJ45 Console Port for Serial-Connection
Ethernet:	1x RJ45 10/100Mbps
Wireless LAN:	Ralink/Mediatek MT7688AN 2,4 GHz Wireless N, up to 150 Mbps Security: WEP 64/128bit, WPA, WPA2
Standards:	IEEE 802.3 IEEE 802.3u IEEE 802.11b/g/n
Power source:	100~240 VAC, 50/60 Hz
Power Consumption:	<3 watt in operation
Housing:	metal housing

Environment:	Operating temperature: 0 ~ 40 °C Operating humidity: 10% ~ 85% (non-condensing) Storage temperature: -20 ~ 70 °C Storage humidity: 5% ~ 90% (non-condensing)
Regulatory:	CE, RoHS
Dimensions:	92 x 85 x 24 mm (L x W x H)
Weight:	134 g (ALL3419 with ALL3006 sensor)
Package content:	-ALLNET ALL3419 -ALLNET ALL3006 temperature sensor -WLAN antenna -External power supply -Quick installation guide

## Accessories

Part No.	Name
210354	ALLNET PoE Splitter-Mini/Extractor / Gigabit / 24W / 5V/12V Switchable / ALL-PS102G-AF-AT
207613	ALLNET Netzwerk NTP GPS Server ALL-NTP-101
28197	ALLNET ALL3003 / switching output (1 optoelectroniccoupler,
134721	ALLNET MSR Sensor ALL3008 / Temperature sensor
124089	ALLNET MSR Sensor ALL3016 / Temperature sensor waterproof
157798	ALLNET ALL3020 / Sensor for humidity and temperature
33501	ALLNET ALL3024 / 220-240V voltage meter
98831	ALLNET ALL4432 / analog brightness sensor in metal case
34417	ALLNET ALL3036 / Liquid level monitor vertical
34418	ALLNET ALL3037 / Liquid level monitor
36788	ALLNET ALL3051 / PIR motion detector
98820	ALLNET ALL4404 / Multiplexing Modul-Hub 8 Ports
98825	ALLNET ALL4427 / Relais output 4 Port 250V / 10A in metal ca
98836	ALLNET ALL4442 / contact input 4-port in metal case
98828	ALLNET ALL4429 / temperature/humidity/pressure Sensor in met
98840	ALLNET ALL4452 / PIR movement detector
98820	ALLNET ALL4404 / Multiplexing Modul-Hub 8 Ports
98821	ALLNET ALL4406 / temperature sensor in metal case
101321	ALLNET ALL4406 / temperature sensor in metal case *white*

Part No.	Name
157801	ALLNET ALL4420 / Combi sensor humidity/temp. in housing
98824	ALLNET ALL4425 / counter in metal case
101320	ALLNET ALL4425 / Contact Counter / S0 in the housing *white*
98825	ALLNET ALL4427 / Relais output 4 Port 250V / 10A in metal ca
98828	ALLNET ALL4429 / temperature/humidity/pressure Sensor in met
98831	ALLNET ALL4432 / analog brightness sensor in metal case
98836	ALLNET ALL4442 / contact input 4-port in metal case
98838	ALLNET ALL4444 / volt meter 220-240V 4relais in metal case
98840	ALLNET ALL4452 / PIR movement detector
96689	ALLNET ALL4454 / Smoke/gas sensor in metal case
102435	ALLNET ALL4454 / Smoke detector/sensor in the housing *blac
104248	ALLNET ALL3075v4 / Wireless socket, switchable via IP with P
174036	ALLNET MSR ALL3073V2WLAN
149928	ALLNET MSR zbh. EnOcean USB 300 Dongle
105571	ALLNET spare power supply 12V/2,0A
157798	ALLNET ALL3020 / Sensor for humidity and temperature
166559	ALLNET MSR ALL4471 / Co2-Kohlendioxid-Sensor *white*
166561	ALLNET MSR ALL4472 / Particulate Matter Sensor *white*
210354	ALLNET PoE Splitter-Mini/Extractor / Gigabit / 24W / 5V/12V Switchable / ALL-PS102G-AF-AT

[Click here to discover more items from this category in our shop.](#)