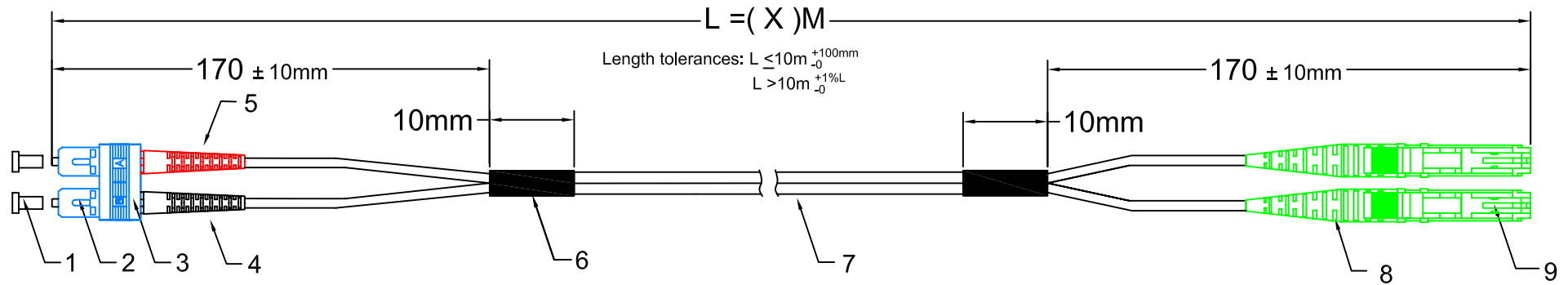


**SC/UPC - E2000/APC Duplex Jumper, I-V(ZN)H 02E 9/125μ
OS2, LSZH Yellow Jacket, x meter**



Specifications:

1. Insertion Loss: < 0.3dB @1310nm
Return Loss: > 55dB@1310nm;E2000/APC:> 65dB@1310nm
2. End surface test is according to OP-03-05001
3. Test standard: GR-326-CORE
4. Test report has to match the serial No.
5. RoHS compliant
6. Fiber cable according to IEC 60793-2
7. SC connector according to IEC 61754-4
E2000 connector according to IEC 61754-15

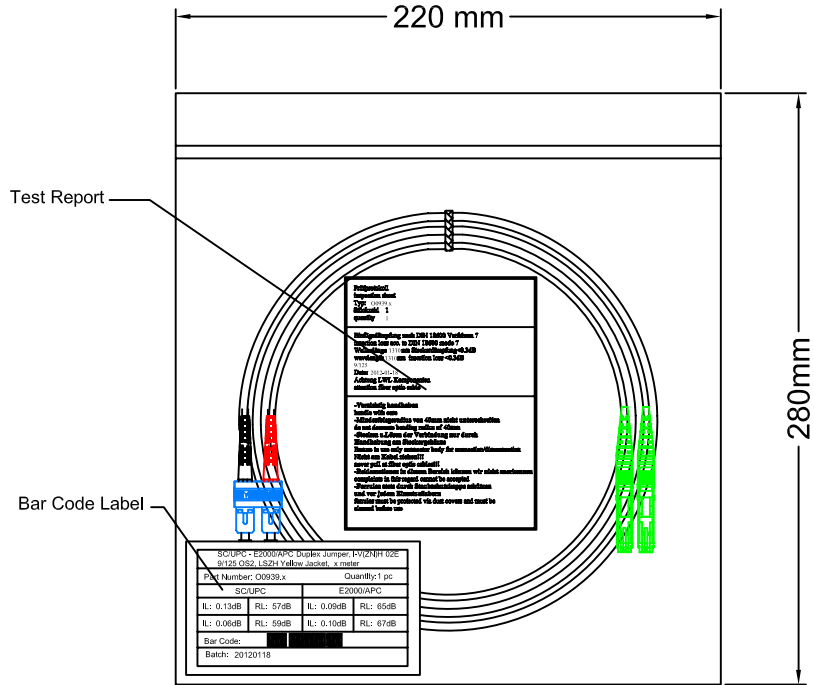
**RoHS
compliant**

| | | |
|-------------|---|------------|
| 9 | E2000/APC SM 3.0 connector,Green | 2 |
| 8 | E2000/APC 3.0 boot, green | 2 |
| 7 | Ø3.0mm SM duplex OS2 9/125μ LSZH Yellow cable | |
| 6 | Heat shrink tube, black | 2 |
| 5 | SC 3.0 boot, red | 1 |
| 4 | SC 3.0 boot, black | 1 |
| 3 | SC clip, blue | 1 |
| 2 | SC SM 3.0 connector, Blue | 2 |
| 1 | Dust cover | 2 |
| Item | Description | Qty |

| | |
|---|--------------|
| SC/UPC - E2000/APC Duplex Jumper, I-V(ZN)H 02E 9/125 OS2, LSZH Yellow Jacket, x meter | |
| Part No: O0939.x | |
| Drawing No: | Page :1 of 3 |

Packing:


The corresponding label data for each cable assembly shall be affixed to the package



9# PE Bag(220mm x 280mm)

| |
|--|
| Prüfprotokoll inspection sheet Typ: O0939.x Stückzahl 1 quantity 1 |
| Einfügedämpfung nach DIN 18600 Verfahren 7 insertion loss acc. to DIN 18600 mode 7 Wellenlänge 1310nm Steckerdämpfung<0.3dB wavelength 1310nm insertion loss <0.3dB 9/125 Date: 2012-01-18 Achtung LWL Komponenten attention fiber optic cable |
| -Vorsichtig handhaben handle with care -Mindestbiegeradius von 40mm nicht unterschreiten do not decrease bending radius of 40mm -Stecken u. Lösen der Verbindung nur durch Handhabung am Steckergehäuse Ensure to use only connector body for connection/disconnection Nicht am Kabel ziehen!!! never pull at fiber optic cables!!! -Reklamationen in diesem Bereich können wir nicht anerkennen complaints in this regard cannot be accepted -Ferrulen stets durch Staubschutzkappe schützen and vor jedem Einsatz säubern ferrules must be protected via dust covers and must be cleaned before use |

Test Report

| | | | |
|---|----------|----------------|----------|
| SC/UPC - E2000/APC Duplex Jumper, I-V(ZN)H 02E | | | |
| 9/125 OS2, LSZH Yellow Jacket, x meter | | | |
| Part Number: O0939.x | | Quantity: 1 pc | |
| SC/UPC | | E2000/APC | |
| IL: 0.13dB | RL: 57dB | IL: 0.09dB | RL: 65dB |
| IL: 0.06dB | RL: 59dB | IL: 0.10dB | RL: 67dB |
| Bar Code:  | | | |
| Batch: 20120118 | | | |

Bar Code Label(100mmx60mm)

**RoHS
compliant**

| | |
|---|--------------|
| SC/UPC - E2000/APC Duplex Jumper, I-V(ZN)H 02E 9/125 OS2, LSZH Yellow Jacket, x meter | |
| Part No: O0939.x | |
| Drawing No: | Page :2 of 3 |

Indoor Cable Series (Duplex)

1. Characteristics

- . Aramid yarn strength member ensures tension resistance and long term stability in transmission
- . Figure 8 structure jacket facilitate embranchment
- . Small outer diameter, lightweight
- . Flame-retardant jacket, halogenfree
- . Low attenuation

2.Applications

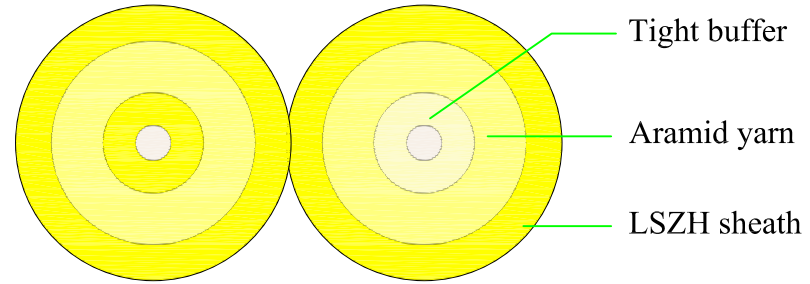
- .Installation in conduits and shafts
- .Indoor distribution
- .Jumper and adapter cable
- .Connecting workstations inside buildings(FTTD)

3.Temperature Range

-20°C up to +70°C

4.Fiber Optic Cable Performance

- .Number of fibers: 2
- .Outer diameter: 2.8x5.7 mm
- .Nominal weight: 13.2 kg / km
- .Max. tension: 300 N (short - term)
160 N (long - term)
- .Min. Bending Radius: 20 H (Dynamic)
10 H (Static)
- .Max . Crush Resistance (N/100 mm²):1000
- .Complies with TIA/EIA-568 B.3 & Bellcore GR-409-CORE & OFNR-UL/CSA FT-4
- .Maximum Attenuation: ≤ 0.4dB @Full spectrum
- .Dispersion Coefficient: ≤ 3.0ps/(nm.km) @1310nm
≤ 18ps/(nm.km) @1550nm



**RoHS
compliant**

5.Cable Specification

- .Fiber type: Singlemode 9/125μ m OS2
- .Yellow jacket , LSZH

| | |
|---|--------------|
| | |
| SC/UPC - E2000/APC Duplex Jumper, I-V(ZN)H 02E 9/125 OS2, LSZH Yellow Jacket, x meter | |
| Part No: O0939.x | |
| Drawing No: | Page :3 of 3 |